

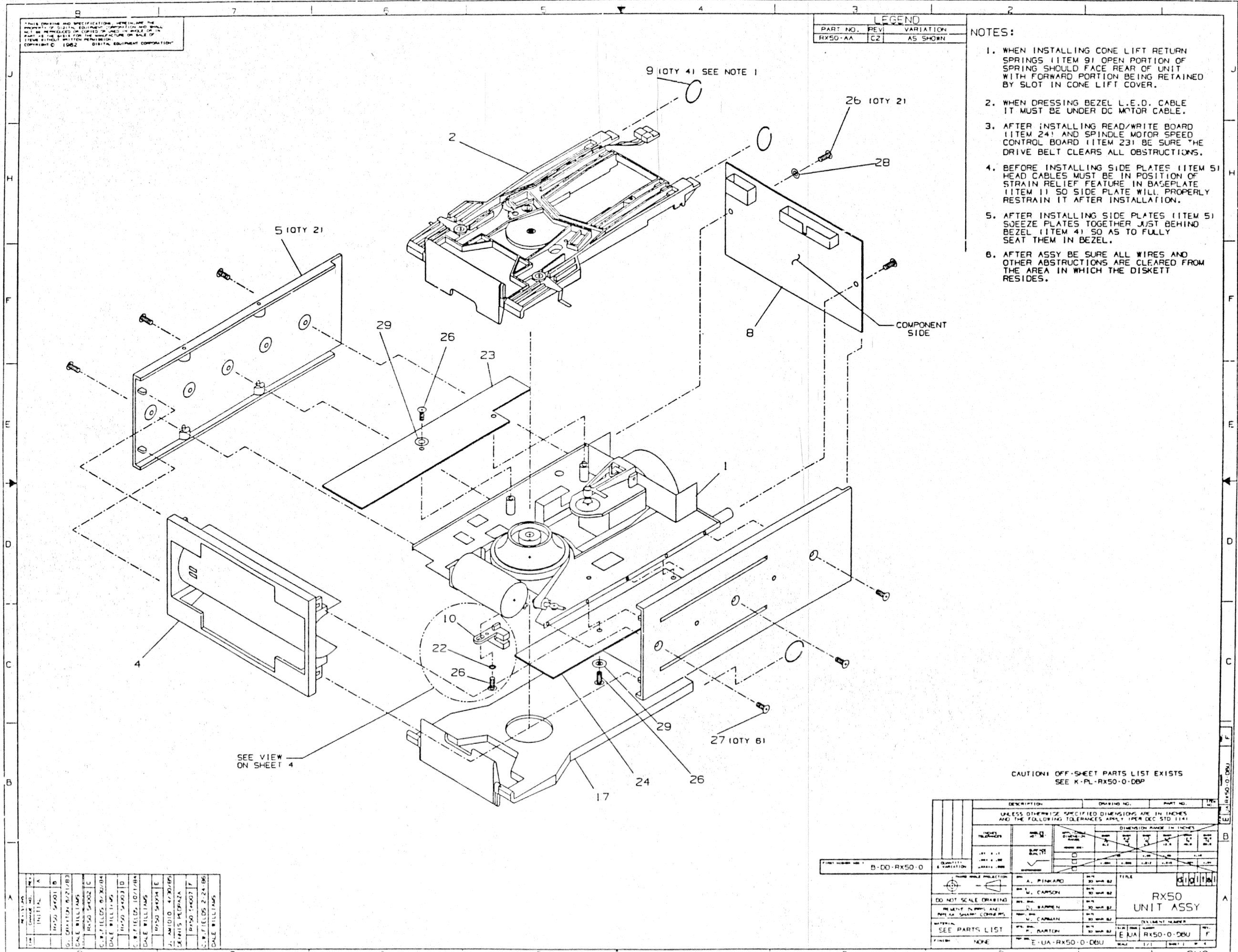


THIS DRAWING AND SPECIFICATIONS HEREAFTER THE PROPERTY OF DIGITAL EQUIPMENT CORPORATION AND SHALL NOT BE REPRODUCED OR COPIED IN WHOLE OR IN PART OR BE LOANED FOR THE MANUFACTURE OR SALE OF ITEMS WITHOUT WRITTEN PERMISSION. COPYRIGHT © 1982 DIGITAL EQUIPMENT CORPORATION

LEGEND		
PART NO.	REV.	VARIATION
RX50-AA	C2	AS SHOWN

NOTES:

1. WHEN INSTALLING CONE LIFT RETURN SPRINGS (ITEM 9) OPEN PORTION OF SPRING SHOULD FACE REAR OF UNIT WITH FORWARD PORTION BEING RETAINED BY SLOT IN CONE LIFT COVER.
2. WHEN DRESSING BEZEL L.E.D. CABLE IT MUST BE UNDER DC MOTOR CABLE.
3. AFTER INSTALLING READ/WRITE BOARD (ITEM 24) AND SPINDLE MOTOR SPEED CONTROL BOARD (ITEM 23) BE SURE THE DRIVE BELT CLEARS ALL OBSTRUCTIONS.
4. BEFORE INSTALLING SIDE PLATES (ITEM 5) HEAD CABLES MUST BE IN POSITION OF STRAIN RELIEF FEATURE IN BASEPLATE (ITEM 1) SO SIDE PLATE WILL PROPERLY RESTRAIN IT AFTER INSTALLATION.
5. AFTER INSTALLING SIDE PLATES (ITEM 5) SQUEEZE PLATES TOGETHER JUST BEHIND BEZEL (ITEM 4) SO AS TO FULLY SEAT THEM IN BEZEL.
6. AFTER ASSY BE SURE ALL WIRES AND OTHER OBSTRUCTIONS ARE CLEARED FROM THE AREA IN WHICH THE DISKETT RESIDES.



CAUTION! OFF-SHEET PARTS LIST EXISTS SEE K-PL-RX50-0-DBP

REV.	DATE	INITIAL	DESCRIPTION
A	11/20/81	DALE WILLIAMS	REVISED DRAWING
B	12/1/81	DALE WILLIAMS	REVISED DRAWING
C	1/20/82	DALE WILLIAMS	REVISED DRAWING
D	2/10/82	DALE WILLIAMS	REVISED DRAWING
E	3/10/82	DALE WILLIAMS	REVISED DRAWING
F	4/10/82	DALE WILLIAMS	REVISED DRAWING
G	5/10/82	DALE WILLIAMS	REVISED DRAWING
H	6/10/82	DALE WILLIAMS	REVISED DRAWING
I	7/10/82	DALE WILLIAMS	REVISED DRAWING
J	8/10/82	DALE WILLIAMS	REVISED DRAWING
K	9/10/82	DALE WILLIAMS	REVISED DRAWING
L	10/10/82	DALE WILLIAMS	REVISED DRAWING
M	11/10/82	DALE WILLIAMS	REVISED DRAWING
N	12/10/82	DALE WILLIAMS	REVISED DRAWING
O	1/10/83	DALE WILLIAMS	REVISED DRAWING
P	2/10/83	DALE WILLIAMS	REVISED DRAWING
Q	3/10/83	DALE WILLIAMS	REVISED DRAWING
R	4/10/83	DALE WILLIAMS	REVISED DRAWING
S	5/10/83	DALE WILLIAMS	REVISED DRAWING
T	6/10/83	DALE WILLIAMS	REVISED DRAWING
U	7/10/83	DALE WILLIAMS	REVISED DRAWING
V	8/10/83	DALE WILLIAMS	REVISED DRAWING
W	9/10/83	DALE WILLIAMS	REVISED DRAWING
X	10/10/83	DALE WILLIAMS	REVISED DRAWING
Y	11/10/83	DALE WILLIAMS	REVISED DRAWING
Z	12/10/83	DALE WILLIAMS	REVISED DRAWING

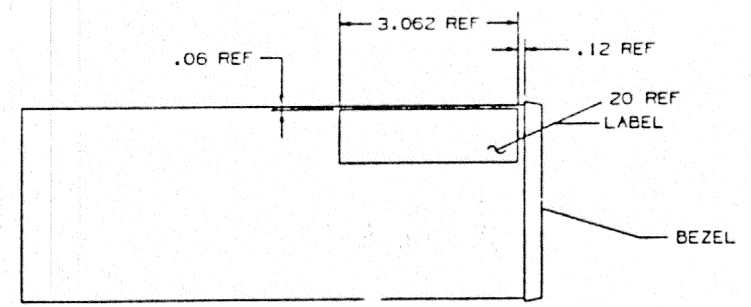
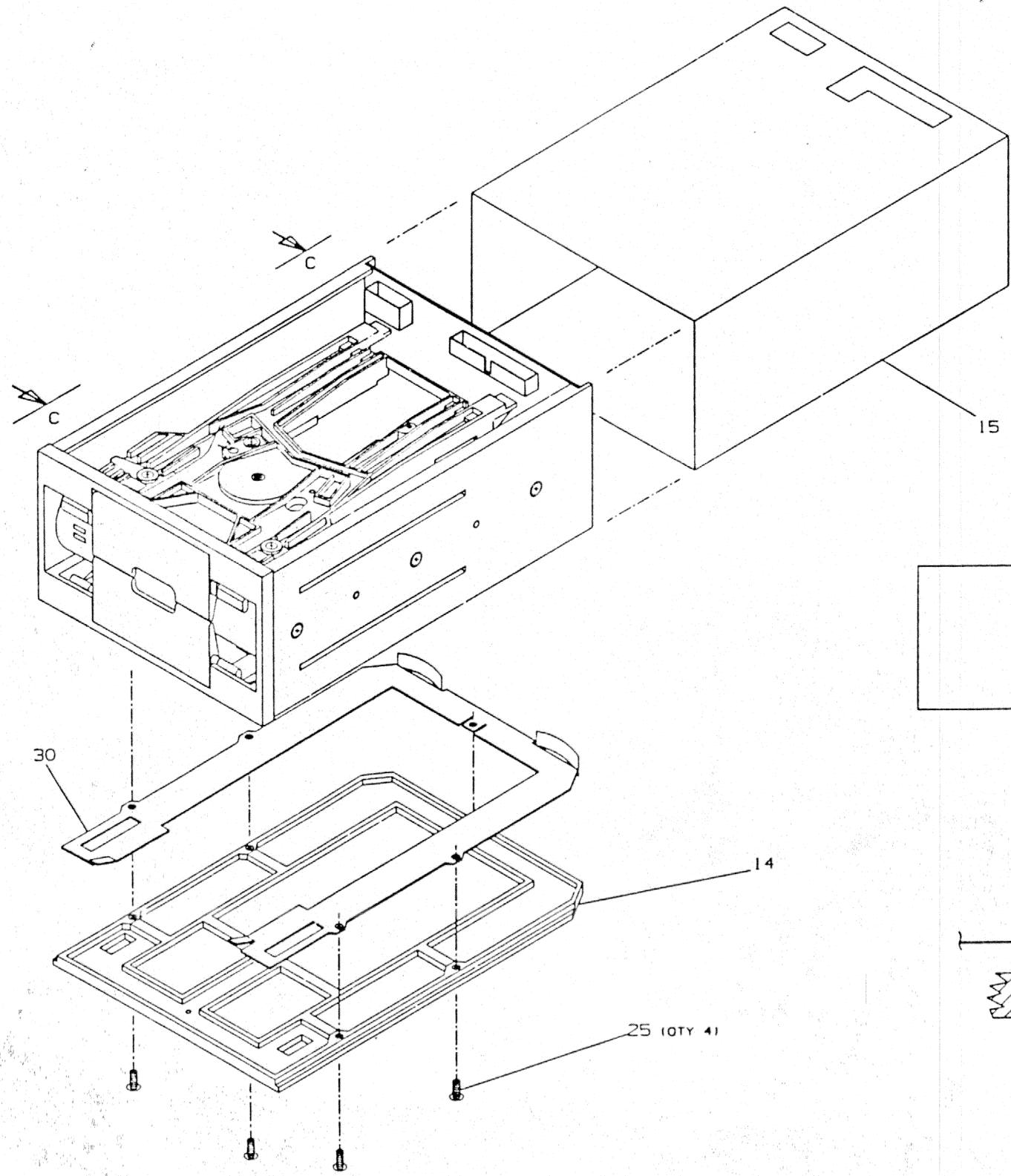
DESCRIPTION	QUANTITY	UNIT	REVISION	DATE	BY	CHKD	APP'D
B-00-RX50-0	1	PCB					
E-1A-RX50-0-DBU	1	DBU					

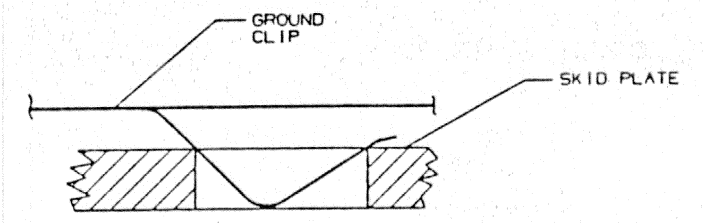
DESCRIPTION	QUANTITY	UNIT	REVISION	DATE	BY	CHKD	APP'D
9 (QTY 4)	4	SPRING					
26 (QTY 21)	21	SCREW					
27 (QTY 61)	61	SCREW					
29	1	SCREW					
28	1	SCREW					
26 (QTY 21)	21	SCREW					
23	1	BOARD					
24	1	BOARD					
17	1	COMPONENT					
10	1	MECHANISM					
22	1	COMPONENT					
26	1	SCREW					
29	1	SCREW					
27 (QTY 61)	61	SCREW					
24	1	BOARD					
26	1	SCREW					
17	1	COMPONENT					
10	1	MECHANISM					
22	1	COMPONENT					
26	1	SCREW					
29	1	SCREW					
27 (QTY 61)	61	SCREW					
24	1	BOARD					
26	1	SCREW					
17	1	COMPONENT					
10	1	MECHANISM					
22	1	COMPONENT					
26	1	SCREW					
29	1	SCREW					
27 (QTY 61)	61	SCREW					
24	1	BOARD					
26	1	SCREW					
17	1	COMPONENT					
10	1	MECHANISM					
22	1	COMPONENT					
26	1	SCREW					
29	1	SCREW					
27 (QTY 61)	61	SCREW					
24	1	BOARD					
26	1	SCREW					
17	1	COMPONENT					
10	1	MECHANISM					
22	1	COMPONENT					
26	1	SCREW					
29	1	SCREW					
27 (QTY 61)	61	SCREW					
24	1	BOARD					
26	1	SCREW					
17	1	COMPONENT					
10	1	MECHANISM					
22	1	COMPONENT					
26	1	SCREW					
29	1	SCREW					
27 (QTY 61)	61	SCREW					
24	1	BOARD					
26	1	SCREW					
17	1	COMPONENT					
10	1	MECHANISM					
22	1	COMPONENT					
26	1	SCREW					
29	1	SCREW					
27 (QTY 61)	61	SCREW					
24	1	BOARD					
26	1	SCREW					
17	1	COMPONENT					
10	1	MECHANISM					
22	1	COMPONENT					
26	1	SCREW					
29	1	SCREW					
27 (QTY 61)	61	SCREW					
24	1	BOARD					
26	1	SCREW					
17	1	COMPONENT					
10	1	MECHANISM					
22	1	COMPONENT					
26	1	SCREW					
29	1	SCREW					
27 (QTY 61)	61	SCREW					
24	1	BOARD					
26	1	SCREW					
17	1	COMPONENT					
10	1	MECHANISM					
22	1	COMPONENT					
26	1	SCREW					
29	1	SCREW					
27 (QTY 61)	61	SCREW					
24	1	BOARD					
26	1	SCREW					
17	1	COMPONENT					
10	1	MECHANISM					
22	1	COMPONENT					
26	1	SCREW					
29	1	SCREW					
27 (QTY 61)	61	SCREW					
24	1	BOARD					
26	1	SCREW					
17	1	COMPONENT					
10	1	MECHANISM					
22	1	COMPONENT					
26	1	SCREW					
29	1	SCREW					
27 (QTY 61)	61	SCREW					
24	1	BOARD					
26	1	SCREW					
17	1	COMPONENT					
10	1	MECHANISM					
22	1	COMPONENT					
26	1	SCREW					
29	1	SCREW					
27 (QTY 61)	61	SCREW					
24	1	BOARD					
26	1	SCREW					
17	1	COMPONENT					
10	1	MECHANISM					
22	1	COMPONENT					
26	1	SCREW					
29	1	SCREW					
27 (QTY 61)	61	SCREW					
24	1	BOARD					
26	1	SCREW					
17	1	COMPONENT					
10	1	MECHANISM					
22	1	COMPONENT					
26	1	SCREW					
29	1	SCREW					
27 (QTY 61)	61	SCREW					
24	1	BOARD					
26	1	SCREW					
17	1	COMPONENT					
10	1	MECHANISM					
22	1	COMPONENT					
26	1	SCREW					
29	1	SCREW					
27 (QTY 61)	61	SCREW					
24	1	BOARD					
26	1	SCREW					
17	1	COMPONENT					
10	1	MECHANISM					
22	1	COMPONENT					
26	1	SCREW					
29	1	SCREW					
27 (QTY 61)	61	SCREW					
24	1	BOARD					
26	1	SCREW					
17	1	COMPONENT					
10	1	MECHANISM					
22	1	COMPONENT					
26	1	SCREW					
29	1	SCREW					
27 (QTY 61)	61	SCREW					
24	1	BOARD					
26	1	SCREW					
17	1	COMPONENT					
10	1	MECHANISM					
22	1	COMPONENT					
26	1	SCREW					
29	1	SCREW					
27 (QTY 61)	61	SCREW					
24	1	BOARD					
26	1	SCREW					
17	1	COMPONENT					
10	1	MECHANISM					
22	1	COMPONENT					
26	1	SCREW					
29	1	SCREW					
27 (QTY 61)	61	SCREW					
24	1	BOARD					
26	1	SCREW					
17	1	COMPONENT					
10	1	MECHANISM					
22	1	COMPONENT					
26	1	SCREW					

THIS DRAWING AND SPECIFICATIONS, HEREIN, ARE THE PROPERTY OF DIGITAL EQUIPMENT CORPORATION AND SHALL NOT BE REPRODUCED OR COPIED OR USED IN WHOLE OR IN PART AS THE BASIS FOR THE MANUFACTURE OR SALE OF ITEMS WITHOUT WRITTEN PERMISSION OF DIGITAL EQUIPMENT CORPORATION. COPYRIGHT © 1962 DIGITAL EQUIPMENT CORPORATION

I  
 H  
 F  
 E  
 D  
 C  
 B  
 A



VIEW C-C  
LABEL PLACEMENT



DETAIL OF HOW  
GROUND CLIP FITS  
INTO SKID PLATE

REVISION HISTORY	
DATE	DESCRIPTION

SEE SHEET 1

DOCUMENT NUMBER		TITLE	
SYMBOL	NAME		
EJUN	RX50-0-DBU	RX50	UNIT ASSY

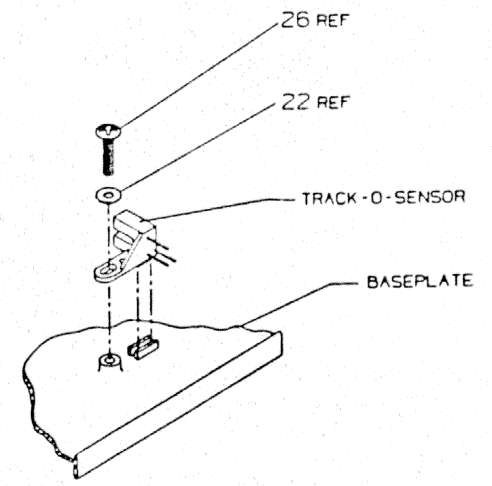


THIS DRAWING AND SPECIFICATIONS HEREAFTER THE PROPERTY OF DIGITAL EQUIPMENT CORPORATION AND SHALL NOT BE REPRODUCED OR COPIED OR USED IN WHOLE OR IN PART AS THE BASIS FOR THE MANUFACTURE OR SALE OF ITEMS WITHOUT WRITTEN PERMISSION OR SALE OF EQUIPMENT © 1982 DIGITAL EQUIPMENT CORPORATION

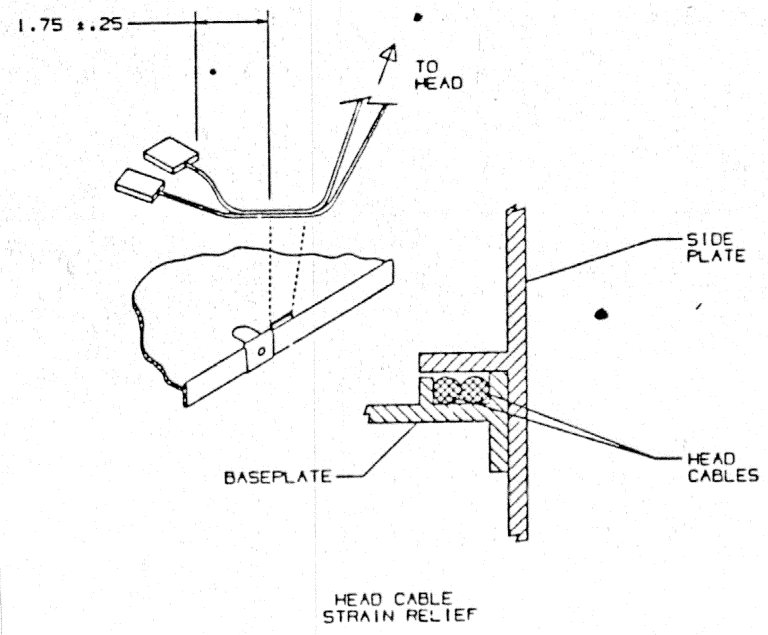
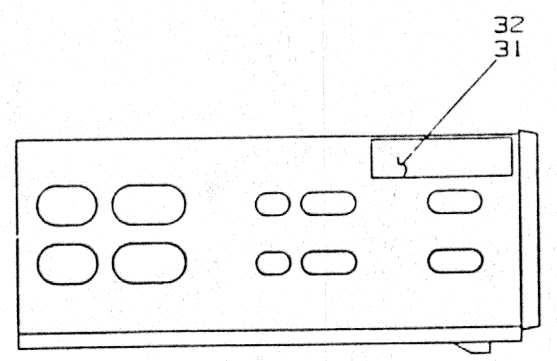
J 1100-0-05A3 N13

J  
I  
H  
G  
F  
E  
D  
C  
B  
A

J  
H  
F  
E  
D  
C  
B  
A



MOUNTING POSITION FOR TRACK-O-SENSOR



REVISION HISTORY	
DATE	ECO HISTORY
SEE SHEET 1	

TITLE RX50 UNIT ASSY

DOCUMENT NUMBER	
REVISION	NUMBER
E1UA	RX50-0-DBU F
SCALE	1/2" = 1" SHEET 4 OF 4

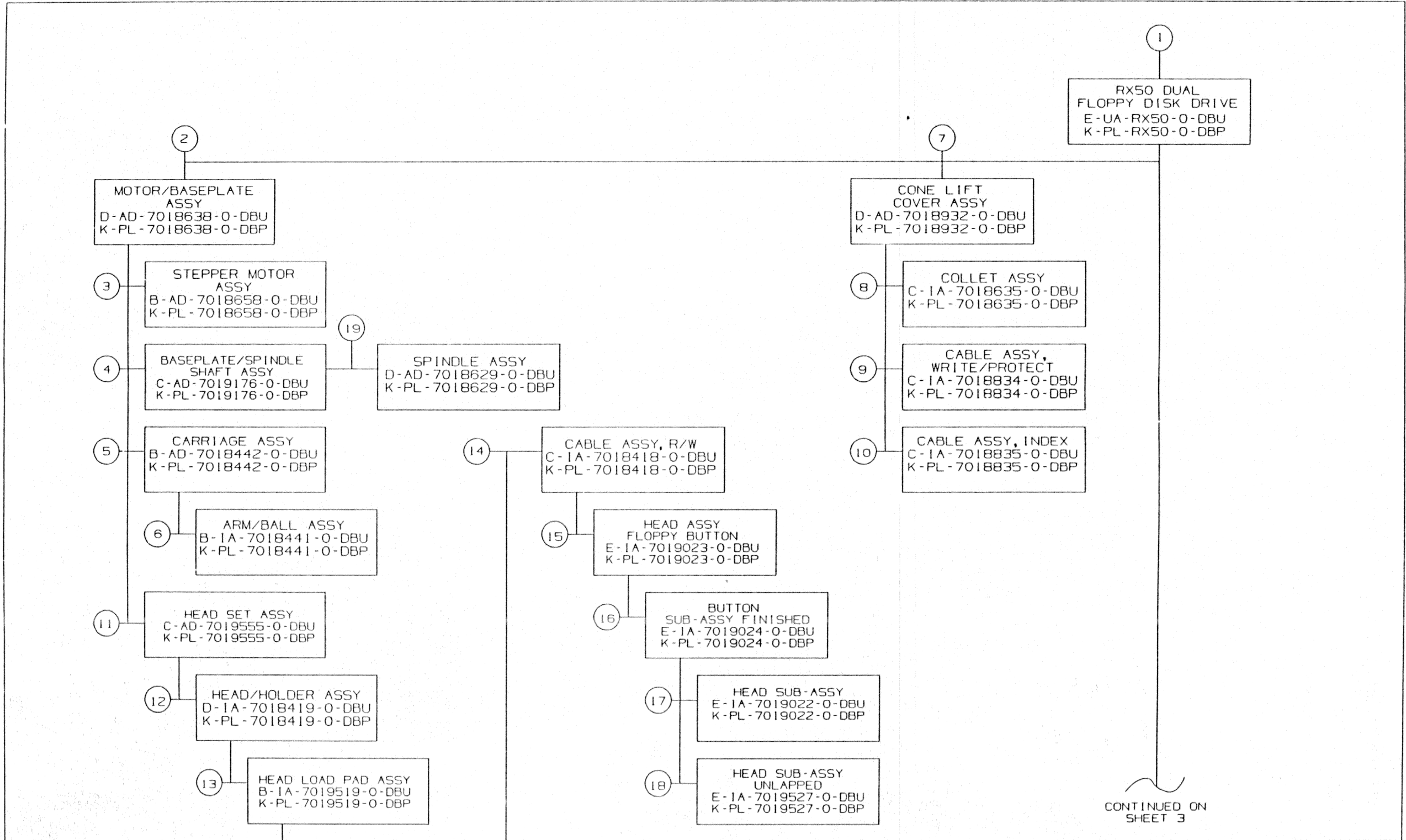
PARTS LIST

LINE	ITEM	TOP DOCUMENT	PART NUMBER	MIN REV	DESCRIPTION	AA	A1
1	1	D-AD-7018638-0-DBU	70-18638-00		MOTOR/BASEPLATE ASSY.	1	
2	2	D-AD-7018932-0-DBU	70-18932-04		CONE LIFT COVER ASSY	1	
3	3		74-26536-01		*** THIS ITEM IS NOT USED ***	-	
4	4	B-IA-7019118-0-DBU	70-19118-00		BEZEL ASSY.	1	
5	5	E-MD-7425241-0-DBU	74-25241-01		SIDE,CARD GUIDE, (MACH.PART)	2	
6	6		54-15074-00		*** THIS ITEM IS NOT USED ***	-	
7	7		54-15111-00		*** THIS ITEM IS NOT USED ***	-	
8	8	D-UA-5415066-0-0	54-15066-00		SEEK INTERFACE BOARD	1	
9	9	C-MD-7425234-0-DBU	74-25234-00		SPRING, RETURN CONE LIFT COVER	4	
10	10	B-IA-7018931-0-DBU	70-18931-00		CABLE ASSY, TRACK-O-SENSOR	1	
11	11		90-06021-01		*** THIS ITEM IS NOT USED ***	-	
12	12		90-08407-01		*** THIS ITEM IS NOT USED ***	-	
13	13		90-06021-02		*** THIS ITEM IS NOT USED ***	-	
14	14	D-MD-7425652-0-DBU	74-25652-02		PLATE,SKID	1	
15	15	E-IA-7019918-0-DBU	70-19918-01		SHIELD ASSY. RX50 DRIVE	1	
16	16		90-06633-00		*** THIS ITEM IS NOT USED ***	-	
17	17	D-AD-7018932-0-DBU	70-18932-05		CONE LIFT COVER ASSY	1	
18	18	B-AD-7019120-0-DBU	70-19120-00		*** THIS ITEM IS NOT USED ***	-	
19	19		90-06024-02		SCREW,MACH FLAT PHIL 6-32	2	
20	20		36-19833-01		*** THIS ITEM IS NOT USED ***	-	
21	21		90-09507-00		*** THIS ITEM IS NOT USED ***	-	
22	22		90-06656-00		WASHER,FLAT STEEL	1	
23	23		70-19175-00		MOTOR/PCB ASSY.	1	
24	24		70-19177-00		R/W PCB ASSY	1	
25	25		90-06024-01		SCREW,MACH PAN PHIL 6-32	4	
26	26		90-09708-00		SCREW,THD RL,PAN PHIL F/METAL 6	5	
27	27		90-06020-02		SCREW,MACH FLAT PHIL 6-32	6	
28	28		90-09882-00		WASHER,LOCK INTERNAL SST	1	
29	29		90-08992-00		WASHER,FLAT NYLON	2	
30	30		74-28201-02		CLIP,GROUNDING	1	
31	31		36-19833-04		LABEL,BAR CODE S/N RX50-AA	1	
32	32		36-18460-10		LABEL,BAR CODEE BLANK .38 X2.00	1	

REVISION HISTORY			KPL MATRIX FORMAT		SECTION A OF A		DRN: A. PINKARD		DIGITAL				
ENG	ECO NUMBER	REV	SECTION/VARIATION INDEX		DATE: 29-JUN-82		CHK'D: M. CARMAN		TITLE PARTS LIST				
---	INITIAL	A	(A)	AA	DATE: 29-JUN-82		DATE: 29-JUN-82		RX50 UNIT ASSY				
DW	RX50-SH001	B	(B)		DES.ENG: D. WARREN		DATE: 29-JUN-82		DOCUMENT NUMBER				
DW	RX50-SH002	C	(C)		DATE: 29-JUN-82		RESP.ENG.: M. CARMAN		SIZE	CODE	NUMBER	REV	
DW	RX50-SH003	D	(D)		DATE: 29-JUN-82		DATE: 29-JUN-82		K	PL	RX50-0-DBP	F	
DP	RX50-SH004	E	(E)		MFG.ENG: P. BARTON		DATE: 29-JUN-82		RELEASE DATE: 24-FEB-86				
DW	RX50-SH007	F	(F)		DATE: 29-JUN-82		DATE: 29-JUN-82		RELEASE STATUS: RELEASED				
			(H)		BASIC PART NUMBER: RX50		ASSEMBLY NUMBER: E-UA-RX50-0-DBU		TOP DOCUMENT NUMBER: B-DD-RX50-0		FILE NAME: Z4621F.PLS		EDIT # 2
			(J)										

"THIS DRAWING AND THE SPECIFICATIONS CONTAINED HEREIN ARE CONFIDENTIAL AND PROPRIETARY. THEY ARE THE PROPERTY OF DIGITAL EQUIPMENT CORPORATION AND SHALL NOT BE REPRODUCED OR COPIED OR USED IN WHOLE OR IN PART AS THE BASIS FOR THE MANUFACTURE OR SALE OF ITEMS WITHOUT WRITTEN PERMISSION. THIS IS AN UNPUBLISHED WORK PROTECTED UNDER THE FEDERAL COPYRIGHT LAWS."





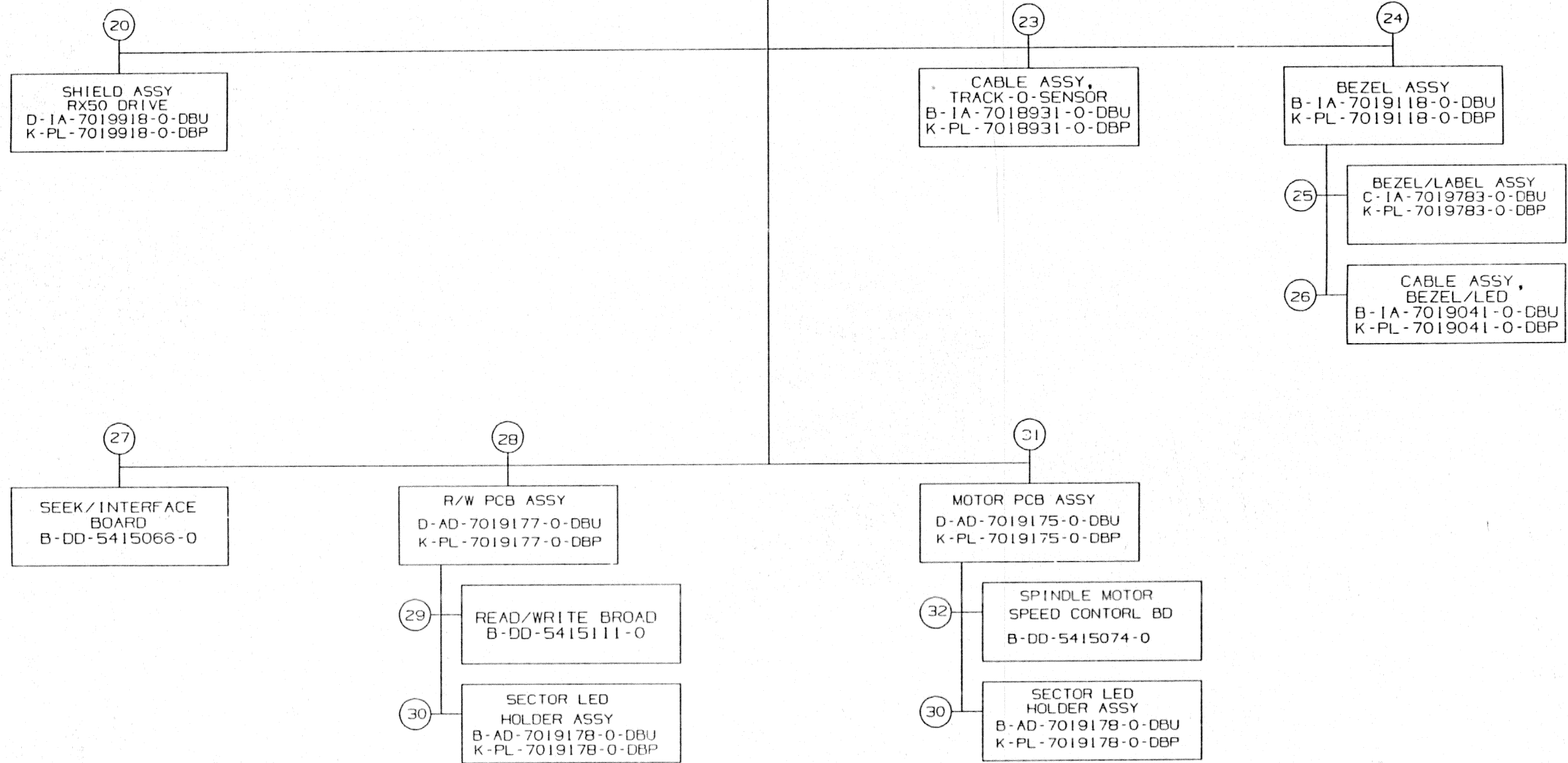
CONTINUED ON SHEET 3

TITLE: RX50 DUAL FLOPPY DISK DRIVE	SHEET 2 OF 6	SIZE CODE BDD	NUMBER RX50-0	REV. C
---------------------------------------	--------------	------------------	------------------	-----------

SHO



CONTINUED FROM  
SHEET 2



TITLE:	SIZE CODE	NUMBER	REV.
RX50 DUAL FLOPPY DISK DRIVE	BDD	RX50-0	c

SHEET 3 OF 6

SHO



FIND NO.	DRAWING NO.	DESCRIPTION	TYPE	FIND NO.	DRAWING NO.	DESCRIPTION	TYPE
					C-MD-7426342-0-DBU	SHIELD, RX50 INNER	M
					B-MD-7426343-0-DBU	PIN, TERMINATION	M
					C-MD-7426997-0-DBU	BAR, ERASE BUTT (FLOPPY HEAD)	M
10	C-1A-7018835-0-DBU	CABLE ASSY, INDEX	E				
	K-PL-7018835-0-DBP	CABLE ASSY, INDEX (PL)	E				
	B-MD-7425235-0-DBU	HOLDER, SECTOR SENSOR	M				
				16	E-1A-7019024-0-DBU	BUTTON SUB-ASSY FINISHED	M
					K-PL-7019024-0-DBP	BUTTON SUB-ASSY FINISHED (PL)	M
					E-MD-7426349-0-DBU	BUTTON, PLASTIC FLOPPY	M
11	C-AD-7019555-0-DBU	HEAD SET ASSY, RX50	M				
	K-PL-7019555-0-DBP	HEAD SET ASSY, RX50 (PL)	M				
	C-MC-7426707-0-CBU	STRAIN RELIEF	M				
	1220021-0-0	RAT TAIL	M				
12	D-1A-7018419-0-DBU	HEAD/HOLDER ASSY	E/M				
	K-PL-7018419-0-DBP	HEAD/HOLDER ASSY (PL)	E/M				
	D-MD-7425219-0-DBU	HOLDER, HEAD	M				
	D-MD-7425220-0-DBU	ARM HEAD LOAD	M				
	B-MD-7425222-0-DBU	SHAFT, LOAD ARM	M				
	D-MD-7425381-0-DBU	SPRING, TORSION	M				
	C-MD-7426979-0-DBU	SHIELD, HEAD, RX50	M	17	E-1A-7019022-0-DBU	HEAD SUB-ASSY	M
					K-PL-7019022-0-DBP	HEAD SUB-ASSY (PL)	M
					E-MD-7426347-0-DBU	CORE ASSY R/W	M
					E-MD-7426348-0-DBU	CORE ASSY ERASE	M
					C-MD-7426346-0-DBU	SLIDER	M
				18	E-1A-7019527-0-DBU	HEAD SUB-ASSY UNLAPPED	M
					K-PL-7019527-0-DBP	HEAD SUB-ASSY UNLAPPED (PL)	M
					E-MD-7426347-0-DBU	CORE ASSY R/W	M
					E-MD-7426348-0-DBU	CORE ASSY ERASE	M
					C-MD-7426346-0-DBU	SLIDER	M
13	B-1A-7019519-0-DBU	HEAD LOAD PAD ASSY	M				
	K-PL-7019519-0-DBP	HEAD LOAD PAD ASSY (PL)	M				
	B-MD-7425245-0-DBU	PAD, HEAD LOAD	M				
	B-MD-7425221-0-DBU	HOLDER, HEAD LOAD PAD	M				
14	C-1A-7018418-0-DBU	CABLE ASSY, R/W	E				
	K-PL-7018418-0-DBP	CABLE ASSY, R/W (PL)	E				
15	E-1A-7019023-0-DBU	HEAD ASSY FLOPPY BUTTON	E/M				
	K-PL-7019023-0-DBP	HEAD ASSY FLOPPY BUTTON (PL)	E/M				
	C-MD-7426344-0-DBU	SPRING BUTT BAR	M				
	C-MD-7426345-0-DBU	BAR R/W BUTT (FLOPPY HEAD)	M				
				19	D-AD-7018629-0-DBU	SPINDLE ASSY	M
					K-PL-7018629-0-DBP	SPINDLE ASSY (PL)	M
					E-MD-7425215-0-DBU	SPINDLE	M
					B-MD-7425249-0-DBU	SPACER, SPINDLE	M
				20	E-1A-7019918-0-DBU	SHIELD ASSY RX50 DRIVE	M
					K-PL-7019918-0-DBP	SHIELD ASSY RX50 DRIVE (PL)	M
					E-MD-7427207-0-DBU	SHIELD, RX50 DRIVE	M

TYPE: E ELECTRICAL  
M MECHANICAL  
E/M ELECTRO/MECHANICAL

digital

TITLE:

RX50 DUAL FLOPPY DISK DRIVE

SHEET 50F 6

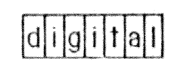
SIZE CODE  
BDD

NUMBER  
RX50-0

REV.  
C

FIND NO.	DRAWING NO.	DESCRIPTION	TYPE	FIND NO.	DRAWING NO.	DESCRIPTION	TYPE
				29	B-DD-5415111-0	READ/WRITE BOARD	E/M
				30	B-AD-7019178-0-DBU K-PL-7019178-0-DBP D-MD-7425831-0-DBU	SECTOR LED HOLDER ASSY SECTOR LED HOLDER ASSY (PL) HOLDER, L.E.D.	E/M E/M M
23	B-1A-7018931-0-DBU K-PL-7018931-0-DBP	CABLE ASSY, TRACK-0-SENSOR CABLE ASSY, TRACK-0-SENSOR (PL)	E E	31	D-AD-7019175-0-DBU K-PL-7019175-0-DBU	MOTOR PCB ASSY MOTOR PCB ASSY (PL)	E/M E/M
24	B-1A-7019118-0-DBU K-PL-7019118-0-DBP	BEZEL ASSY BEZEL ASSY (PL)	M M M	32	B-DD-5415074-0	SPINDLE MOTOR SPEED CONTROL BOARD	E/M
25	C-1A-7019783-0-DBU K-PL-7019783-0-DBP D-MD-7425242-0-DBU	BEZEL/LABEL ASSY BEZEL/LABEL ASSY (PL) BEZEL FRONT	M M M				
26	B-1A-7019041-0-DBU K-PL-7019041-0-DBP	CABLE ASSY BEZEL LED CABLE ASSY BEZEL LED (PL)	E E				
27	B-DD-5415066-0	SEEK/INTERFACE BOARD	E/M				
28	D-AD-7019177-0-DBU K-PL-7019177-0-DBP	R/W PCB ASSY R/W PCB ASSY (PL)	E/M E/M				

TYPE: E ELECTRICAL  
M MECHANICAL  
E/M ELECTRO/MECHANICAL



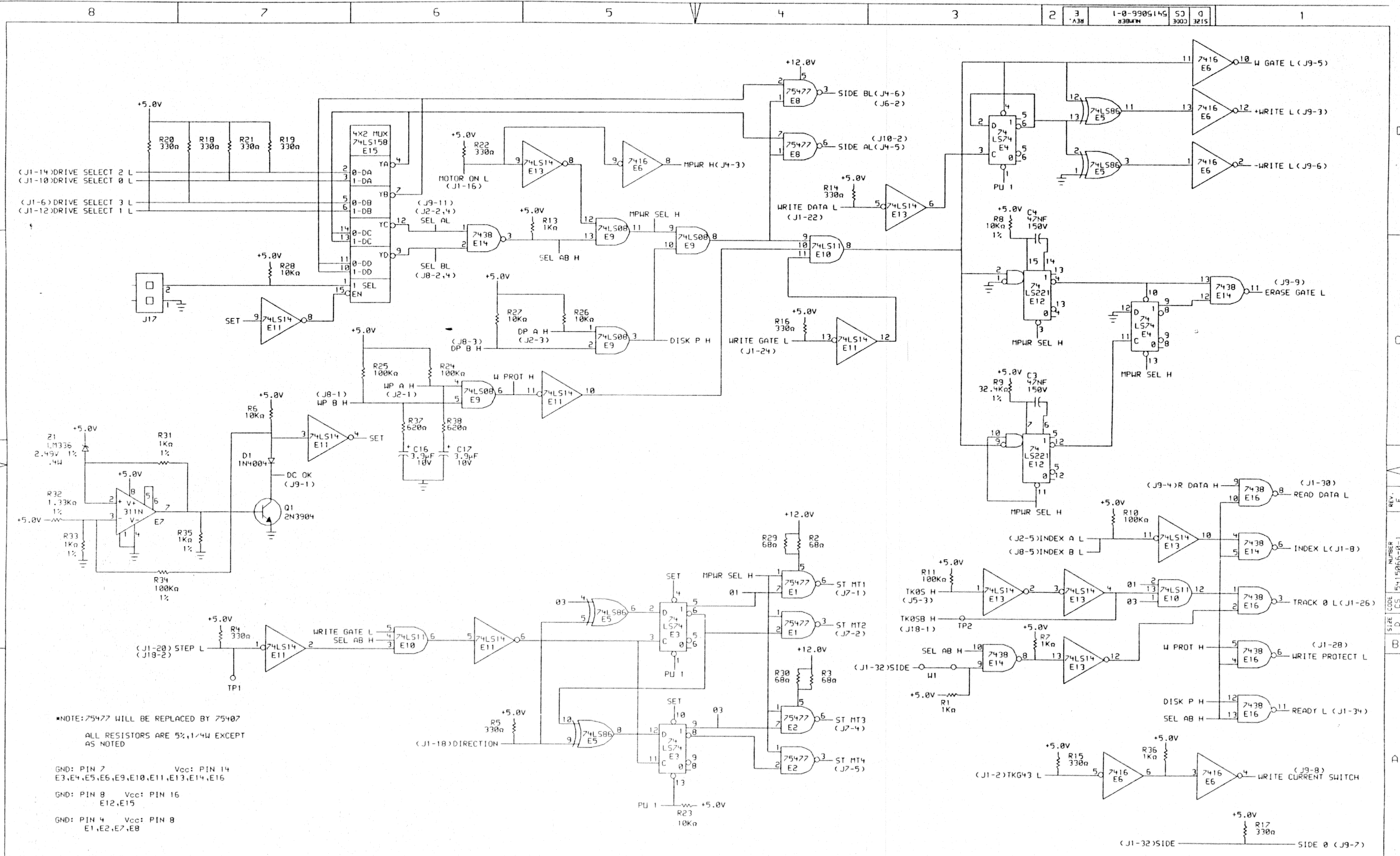
TITLE: RX50 DUAL FLOPPY DISK DRIVE

SHEET 6 OF 6

SIZE CODE  
B DD

NUMBER  
RX50-0

REV.  
C



NOTE: 75477 WILL BE REPLACED BY 75407  
 ALL RESISTORS ARE 5%, 1/4W EXCEPT AS NOTED

GND: PIN 7 Vcc: PIN 14  
 E3, E4, E5, E6, E9, E10, E11, E13, E14, E15

GND: PIN 8 Vcc: PIN 16  
 E12, E15

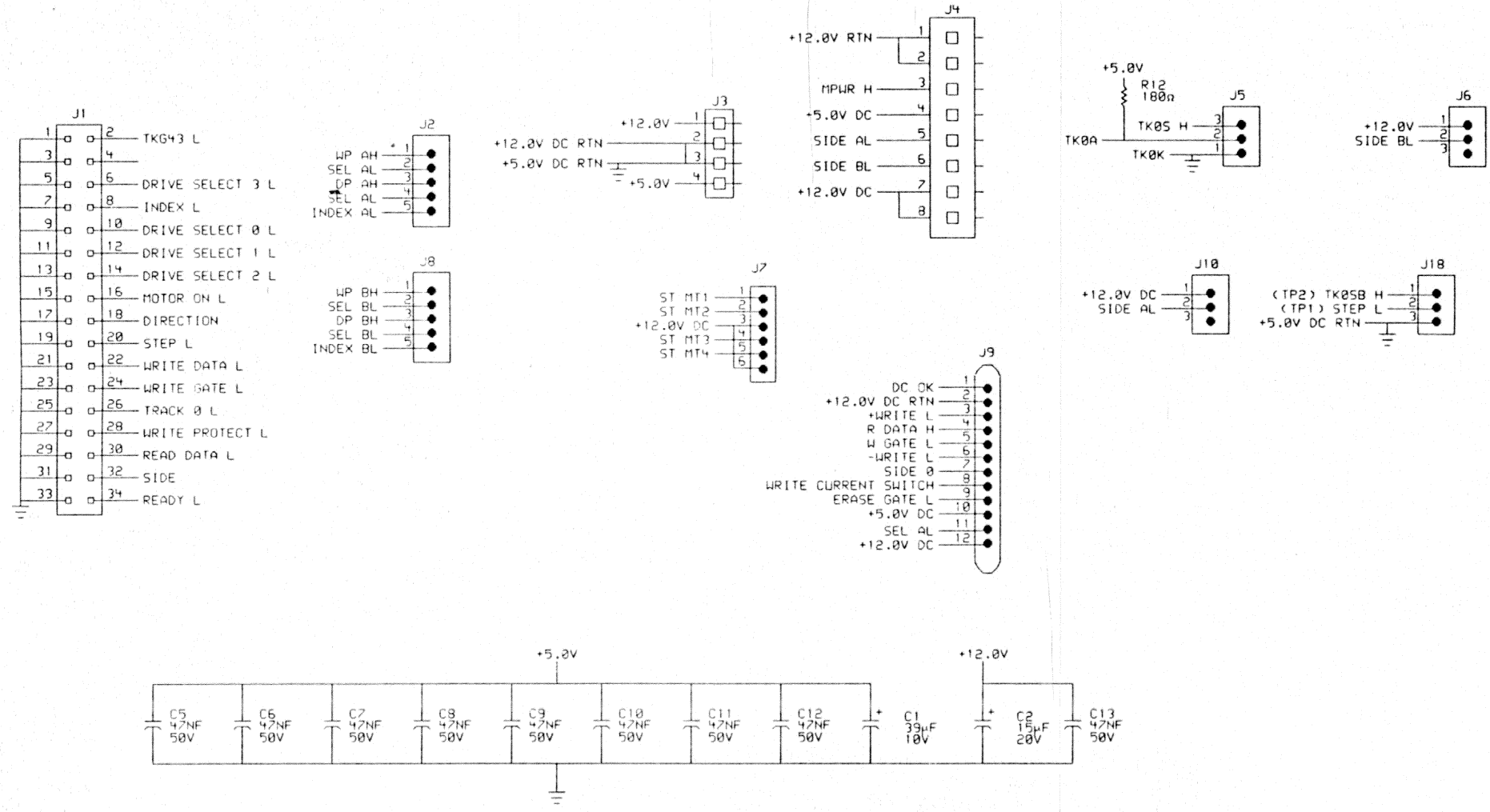
GND: PIN 4 Vcc: PIN 8  
 E1, E2, E7, E8

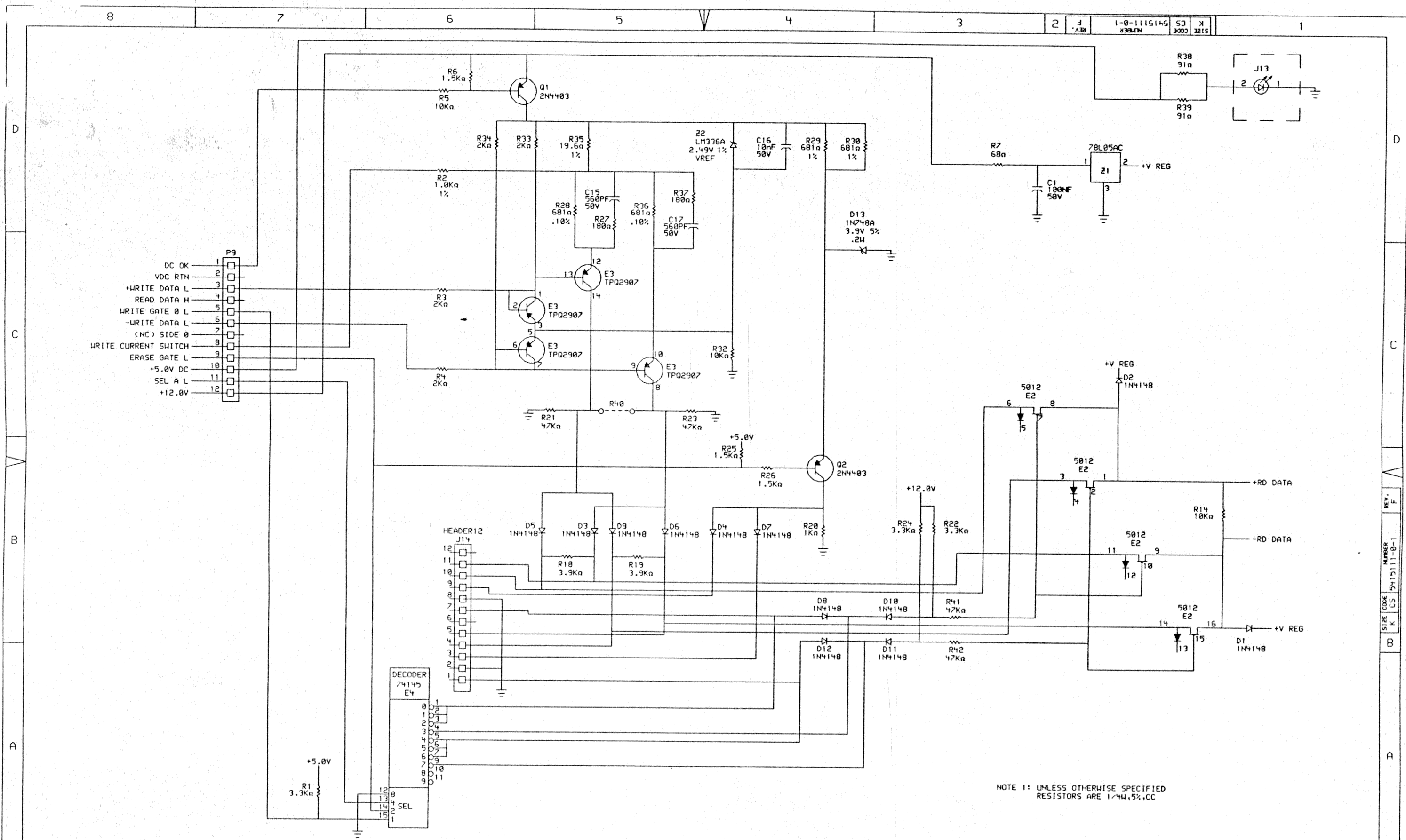
THIS DRAWING AND SPECIFICATIONS HEREIN ARE THE PROPERTY OF DIGITAL EQUIPMENT CORPORATION AND SHALL NOT BE REPRODUCED OR COPIED OR USED IN WHOLE OR IN PART AS THE BASIS FOR THE MANUFACTURE OR SALE OF ITEMS WITHOUT WRITTEN PERMISSION. COPYRIGHT © 1982, DIGITAL EQUIPMENT CORPORATION.

REVISIONS		
CHK	CHANGE NO.	REV

digital	DRN: R. AUBREY	DATE: 21-MAY-82	ENG: L. CHAUTIN	DATE: 21-MAY-82	TITLE: SEEK AND INTERFACE
CHK: D. MARCEAU	DATE: 21-MAY-82	SHEET: 1	OF: 2	BOARD LOCATION: B-DD-5415066-0	
PA: (RX50-LIB)5415066E1.DRW	21-MAY-82	09:17	NEXT HIGHER ASSEMBLY: B-DD-5415066-0	SIZE CODE: D CS	NUMBER: 5415066-0-1
FIRST USED ON OPTION/MODEL: RX50					REV: E

REV. E  
 NUMBER 5415066-0-1  
 SIZE D  
 CODE CS





NOTE 1: UNLESS OTHERWISE SPECIFIED  
RESISTORS ARE 1/4W, 5%, CC

THIS DRAWING AND SPECIFICATIONS  
HEREIN ARE THE PROPERTY OF  
DIGITAL EQUIPMENT CORPORATION AND  
SHALL NOT BE REPRODUCED OR COPIED  
OR USED IN WHOLE OR IN PART AS  
THE BASIS FOR THE MANUFACTURE OR  
SALE OF ITEMS WITHOUT WRITTEN  
PERMISSION. COPYRIGHT © 1982  
DIGITAL EQUIPMENT CORPORATION

REVISIONS		
CHK	CHANGE NO.	REV

	DRAWN: E. R. AUBREY CHECKED: P. BOSSMAN	DATE: 31-AUG-82 DATE: 31-AUG-82	ENG: G. PAQUIN BOARD LOCATION:	DATE: 31-AUG-82 SHEET: 1 OF 2	TITLE:
	PA: CRX50-LIB-5415111.F1.DRW 30-AUG-82 10:51 FIRST USED ON OPTION/MODEL: RX50	NEXT HIGHER ASSEMBLY:	SIZE CODE: K CS	NUMBER: 5415111-0-1	REV: F

8

7

6

5

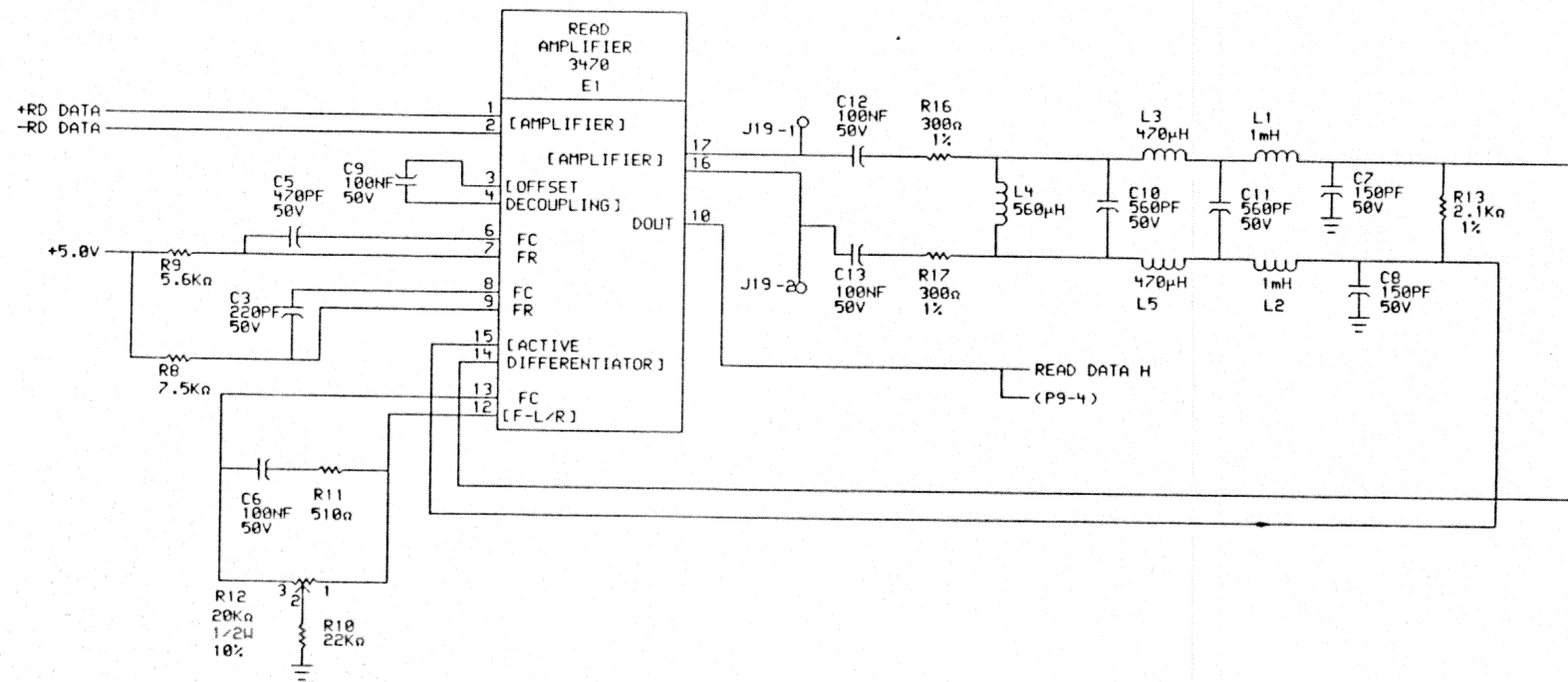
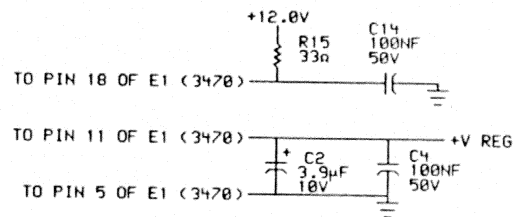
4

3

2

1

REV.	F
SIZE	K
CODE	CS
NUMBER	5415111-0-1



THIS DRAWING AND SPECIFICATIONS HEREIN ARE THE PROPERTY OF DIGITAL EQUIPMENT CORPORATION AND SHALL NOT BE REPRODUCED OR COPIED OR USED IN WHOLE OR IN PART AS THE BASIS FOR THE MANUFACTURE OR SALE OF ITEMS WITHOUT WRITTEN PERMISSION. COPYRIGHT © 1982, DIGITAL EQUIPMENT CORPORATION.

REVISIONS	
CHK	CHANGE NO. REV.

digital	DRN	E. R. AUBREY	DATE	31-AUG-82	ENG.	G. PAQUIN	DATE	31-AUG-82	TITLE:	RX50
	CHK	P. BOSSMAN	DATE	31-AUG-82	BOARD LOCATION:	2 OF 2	SHEET	2 OF 2	READ/WRITE BD	
FIRST USED ON OPTION/MODEL:		RX50	NEXT HIGHER ASSEMBLY:		B-DD-5415111-0		SIZE	CODE	NUMBER	REV.
							K	CS	5415111-0-1	F

8

7

6

5

4

3

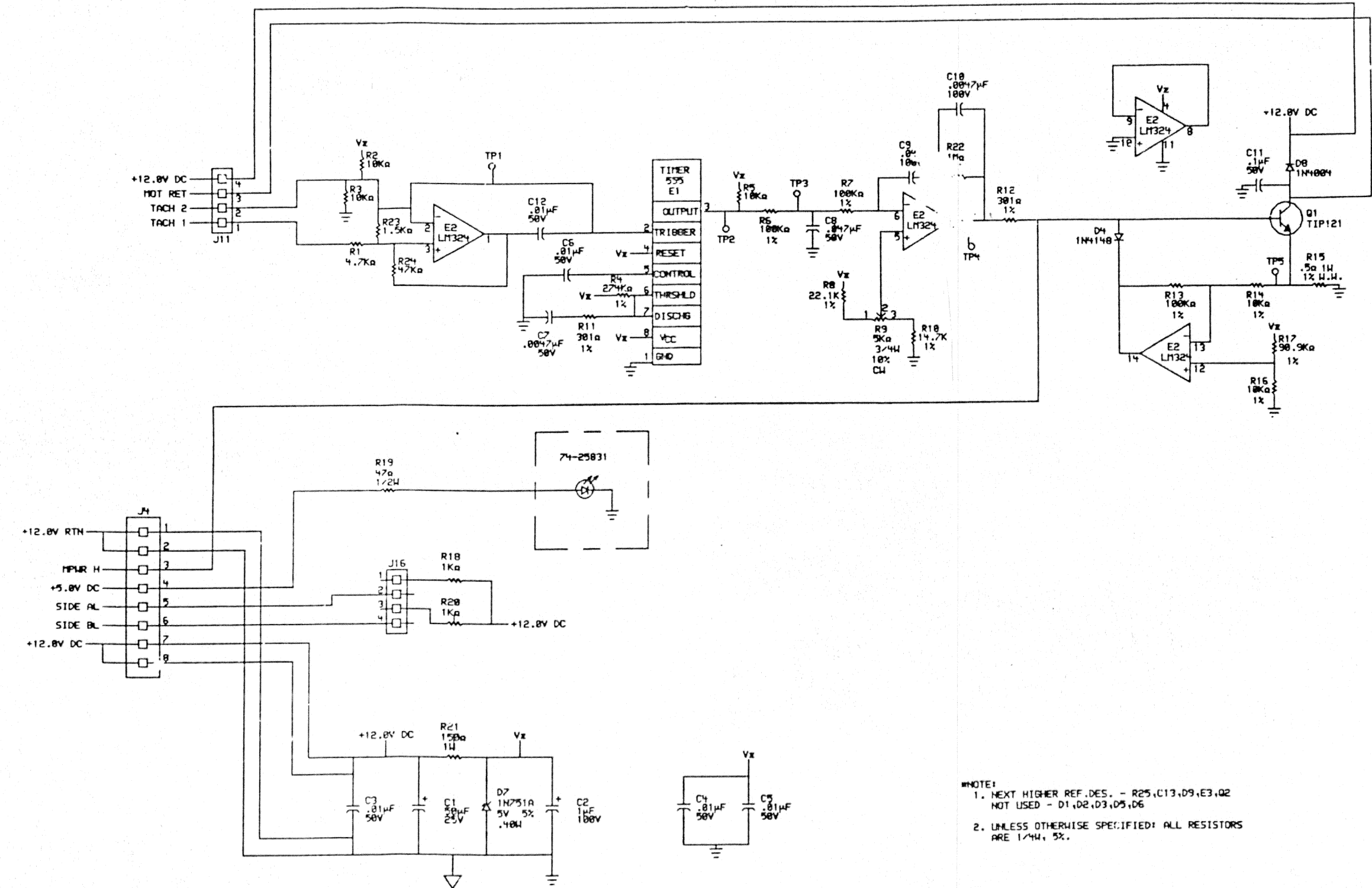
2

1

SHO



8 7 6 5 4 3 2 1



NOTE:  
 1. NEXT HIGHER REF. DES. - R25, C13, D9, E3, Q2  
 NOT USED - D1, D2, D3, D5, D6  
 2. UNLESS OTHERWISE SPECIFIED: ALL RESISTORS  
 ARE 1/4W, 5%.

DRN.	DATE	ENG.	DATE	TITLE:	SPINDLE MOTOR SPEED CONTROL
CHK'D.	DATE	DESIGN LOCATION:	DATE	SIZE	CODE
SK: RX50, CAV	05-11R-85 13:53	NEXT HIGHER ASSEMBLY:	DATE	NUMBER	REV.
FIRST USED ON OPTION/MODEL:	RX50	B-DD-5415074-0	K	CS	5415074-0-1

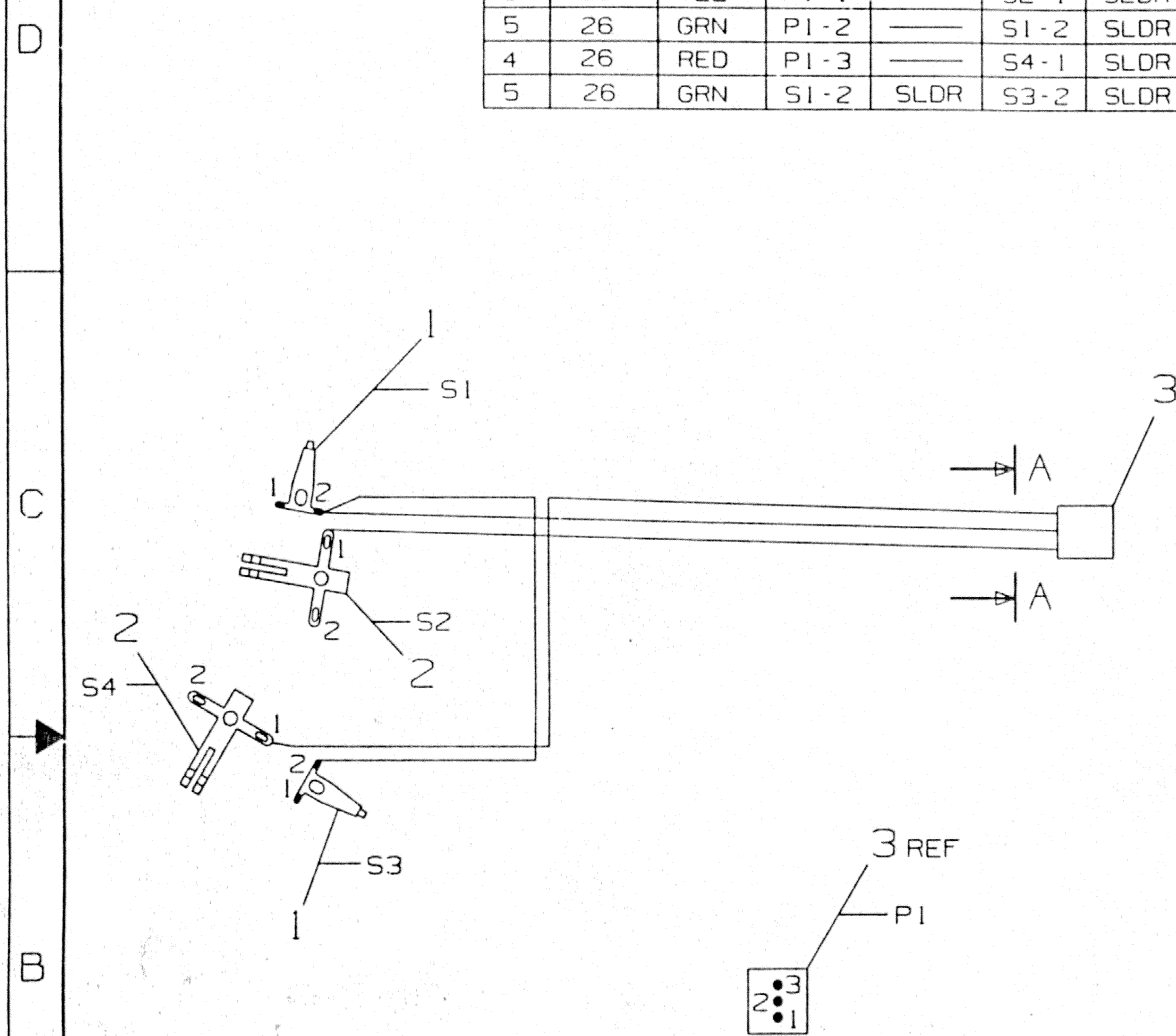
8 7 6 5 4 3 2 1

"THIS DRAWING AND SPECIFICATIONS HEREIN, ARE THE PROPERTY OF DIGITAL EQUIPMENT CORPORATION AND SHALL NOT BE REPRODUCED OR COPIED OR USED IN WHOLE OR IN PART AS THE BASIS FOR THE MANUFACTURE OR SALE OF ITEMS WITHOUT WRITTEN PERMISSION. COPYRIGHT © 1982 DIGITAL EQUIPMENT CORPORATION"

### WIRE TABLE

ITEM NO.	DESCRIPTION	COLOR	FROM		TO		PRECUT LENGTH
			CONN	WITH	CONN	WITH	
6	26	YEL	P1-1	---	S2-1	SLDR	7.38 ±.12
5	26	GRN	P1-2	---	S1-2	SLDR	7.38 ±.12
4	26	RED	P1-3	---	S4-1	SLDR	10.00 ±.12
5	26	GRN	S1-2	SLDR	S3-2	SLDR	7.70 ±.12

NOTES:



VIEW "A-A"

LEGEND		
PART NO.	REV	VARIATION
7018834-00	A1	AS SHOWN

LAYER 2 : FORMAT LAYER  
 LAYER 1 : WORK LAYER  
 PLOT AT : 1.00

CAUTION: OFF-SHEET PARTS LIST EXISTS  
 SEE K-PL-7018834-0-DBP

REVISIONS	CHANGE NO.	REV.	INITIAL
		A	
CHK	MC		

FIRST HIGHER ASSY  
 D-AD-7018932-0-DBU

DESCRIPTION	DRAWING NO.	PART NO.	ITEM NO.										
UNLESS OTHERWISE SPECIFIED DIMENSIONS ARE IN INCHES AND THE FOLLOWING TOLERANCES APPLY (PER DEC STD 114)													
INCHES TOLERANCES .X± .1 .XX± .02 .XXX± .005	ANGLES ±0° 30'	APPLICABLE DIMENSION RANGE											
		DIMENSION RANGE IN INCHES											
		<table border="1"> <tr> <th>OVER 0 TO 0.2</th> <th>OVER 0.2 TO 1.2</th> <th>OVER 1.2 TO 4.0</th> <th>OVER 4.0 TO 12.0</th> <th>OVER 12.0 TO 40.0</th> <th>OVER 40.0 TO 80.0</th> </tr> <tr> <td>±.02</td> <td>±.03</td> <td>±.05</td> <td>±.10</td> <td>±.15</td> <td>±.20</td> </tr> </table>		OVER 0 TO 0.2	OVER 0.2 TO 1.2	OVER 1.2 TO 4.0	OVER 4.0 TO 12.0	OVER 12.0 TO 40.0	OVER 40.0 TO 80.0	±.02	±.03	±.05	±.10
OVER 0 TO 0.2	OVER 0.2 TO 1.2	OVER 1.2 TO 4.0	OVER 4.0 TO 12.0	OVER 12.0 TO 40.0	OVER 40.0 TO 80.0								
±.02	±.03	±.05	±.10	±.15	±.20								
SURFACE QUALITY		MICROINCHES											
<input type="checkbox"/> ±.004 <input type="checkbox"/> ±.008 <input type="checkbox"/> ±.012 <input type="checkbox"/> ±.018 <input type="checkbox"/> ±.024 <input type="checkbox"/> ±.04													
THIRD ANGLE PROJECTION	DATE	TITLE											
	9 MAR 81	digital											
DO NOT SCALE DRAWING	DATE	CABLE ASSY, WRITE/PROTECT											
REMOVE BURRS AND BREAK SHARP CORNERS	12 MAR 82												
MATERIAL	DATE	DOCUMENT NUMBER											
SEE PARTS LIST	12 MAR 82	C 1A 7018834-0-DBU											
FINISH	DATE	SIZE	REV.										
---	12 MAR 82	C 1A	A										
	TOP DOC.	SCALE	SHEET										
	C-1A-7018834-0-DBU	NONE	1 OF 1										

NUMBER 7018834-0-DBU  
 REV. A  
 SIZE CODE C 1A

"THIS DRAWING AND SPECIFICATIONS, HEREIN, ARE THE PROPERTY OF DIGITAL EQUIPMENT CORPORATION AND SHALL NOT BE REPRODUCED OR COPIED OR USED IN WHOLE OR IN PART AS THE BASIS FOR THE MANUFACTURE OR SALE OF ITEMS WITHOUT WRITTEN PERMISSION. COPYRIGHT © 1982 DIGITAL EQUIPMENT CORPORATION"

LEGEND

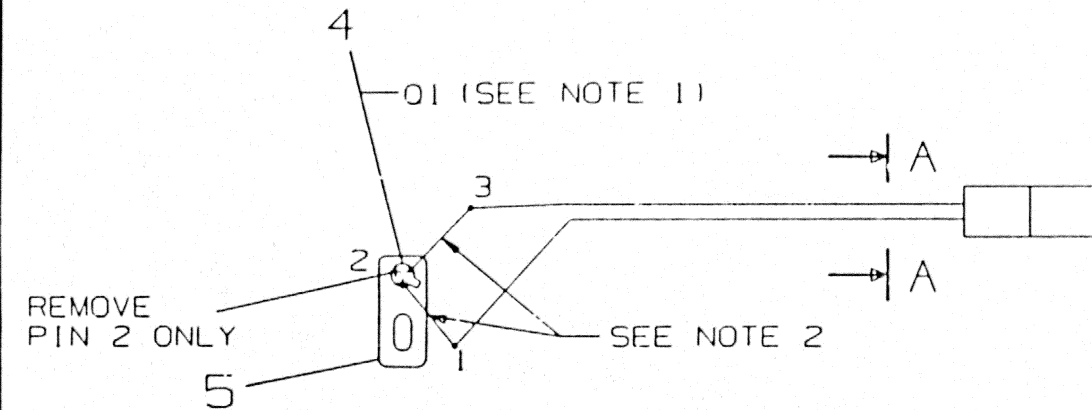
PART NO.	REV	VARIATION
7018835-00	A3	AS SHOWN

NOTES:

- ORIENT 01 AS SHOWN.
- ADD ITEM 7 (SHRINK TUBING), 2 PLACES. (1/2 INCH LONG EACH WIRE) NO BARE WIRE TO BE EXPOSED +.0634 INCHES FROM BASE OF SENSOR.

WIRE TABLE

ITEM NO.	DESCRIPTION		FROM		TO		PRECUT LENGTH
	AWG	COLOR	CONN	WITH	CONN	WITH	
2	26	ORN	PI-1	---	01-1	SLDR	6.00 ±.12
3	26	BLU	PI-2	---	01-3	SLDR	6.00 ±.12



CAUTION: OFF-SHEET PARTS LIST EXISTS  
SEE K-PL-7018835-0-DBP

VIEW "A-A"

FIRST HIGHER ASSY  
D-AD-7018932-0-DBU

REV.	CHANGE NO.	INITIAL	DATE
A			
B			
C			

G. DRAYTON 6/16/83  
 DALE WILLIAMS  
 7018835-SH001  
 T. MANN 5/22/85  
 DALE WILLIAMS  
 7018835-SH002  
 7018835-SH001

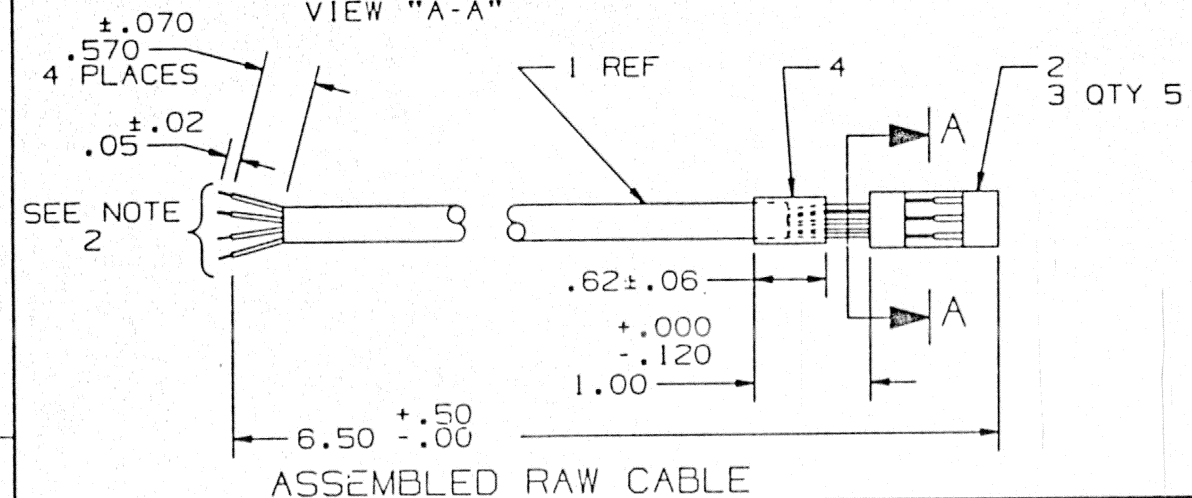
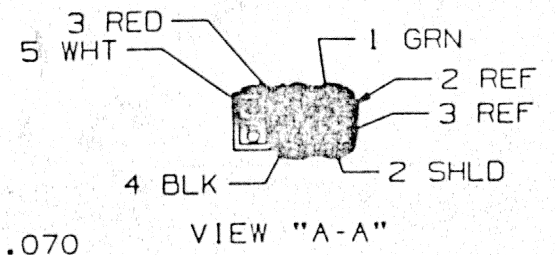
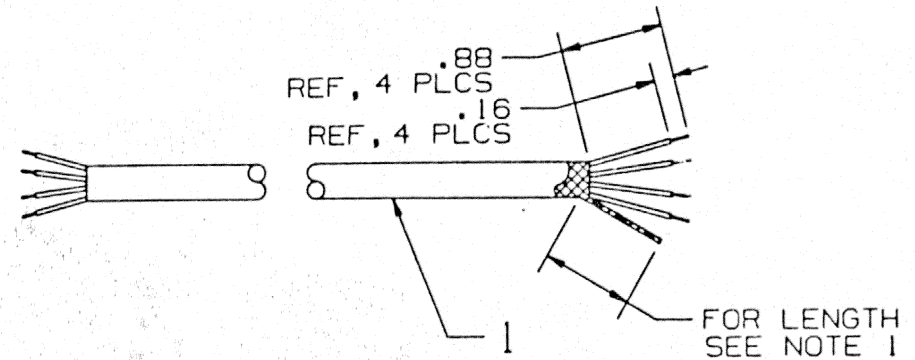
DESCRIPTION	DRAWING NO.	PART NO.	ITEM NO.
UNLESS OTHERWISE SPECIFIED DIMENSIONS ARE IN INCHES AND THE FOLLOWING TOLERANCES APPLY (PER DEC STD 1141)			
INCHES TOLERANCES	ANGLES 10° 30'	APPLICABLE DIMENSION RANGE	
		CHECK ONE	
.X: ±.1 .XX: ±.02 .XXX: ±.005	SURFACE QUALITY	OVER 0.2 TO 0.2	OVER 1.2 TO 1.2
		OVER 4.0 TO 12.0	OVER 12.0 TO 40.0
MICROINCHES	MICROINCHES	OVER 1.2 TO 4.0	OVER 4.0 TO 12.0
		OVER 12.0 TO 40.0	OVER 40.0 TO 80.0
THIRD ANGLE PROJECTION		DATE	TITLE
DO NOT SCALE DRAWING		6 MAR 81	digital
REMOVE BURRS AND BREAK SHARP CORNERS		DATE	CABLE ASSY, INDEX
MATERIAL		12 MAR 82	
SEE PARTS LIST		DATE	DOCUMENT NUMBER
FINISH		12 MAR 82	
C-1A-7018835-0-DBU		DATE	SCALE NONE
C-1A-7018835-0-DBU		12 MAR 82	SHEET 1 OF 1

REV. C  
NAME  
7018835-0-DBU  
SIZE CODE  
C 1A

"THIS DRAWING AND SPECIFICATIONS HEREIN ARE THE PROPERTY OF DIGITAL EQUIPMENT CORPORATION AND SHALL NOT BE REPRODUCED OR COPIED OR USED IN WHOLE OR IN PART AS THE BASIS FOR THE MANUFACTURE OR SALE OF ITEMS WITHOUT WRITTEN PERMISSION."  
 COPYRIGHT © 1982 DIGITAL EQUIPMENT CORPORATION

LEGEND		
PART NO.	REV	VARIATION
7018418-00	A3	AS SHOWN

- NOTES:
- SHIELD IS USED AS STRAIN RELIEF. WHEN CRIMP SOCKETS (ITEM 3) ARE INSERTED INTO CONNECTOR (ITEM 2), ALL WIRES EXCEPT SHIELD SHALL BE SLACK.
  - CONDUCTORS TO BE TWISTED AND TINNED USING LOW TEMPERATURE NONE RESIN SOLDER FOR A LENGTH OF .03 MIN. .03 WILL BE MEASURED FROM END OF CONDUCTOR.



LAYER 2 : FORMAT LAYER  
 LAYER 1 : WORK LAYER  
 PLOT AT : 1.00  
 CAUTION: OFF-SHEET PARTS LIST EXISTS  
 SEE K-PL-7018418-0-DBP

REVISIONS		REV.	
CHK	CHANGE NO.	A	B
	INITIAL		
	7019555-ML001		
C.W. FIELDS 2/2/83			
RALPH BERTHAUME			
	7018418-SH001		
G. DRAYTON 7/15/83			
DALE WILLIAMS			

FIRST HIGHER ASSY  
 C-1A-7018708-0-DBU

DESCRIPTION	DRAWING NO.	PART NO.	ITEM NO.					
UNLESS OTHERWISE SPECIFIED DIMENSIONS ARE IN INCHES AND THE FOLLOWING TOLERANCES APPLY (PER DEC STD 114)								
INCHES TOLERANCES	ANGLES ±0° 30°	APPLICABLE DIMENSION RANGE (CHECK ONE)						
		DIMENSION RANGE IN INCHES						
		OVER 0.2 TO 0.2	OVER 0.2 TO 1.2	OVER 1.2 TO 4.0	OVER 4.0 TO 12.0	OVER 12.0 TO 40.0	OVER 40.0 TO 60.0	
.X± .1	SURFACE QUALITY	<input type="checkbox"/>	±.02	±.03	±.05	±.10		
.XX± .02		<input type="checkbox"/>	±.004	±.008	±.012	±.018	±.024	±.04
.XXX± .005		<input checked="" type="checkbox"/>	MICROINCHES					
THIRD ANGLE PROJECTION	DRN A. PINKARD	DATE 26 FEB 81	TITLE					
DO NOT SCALE DRAWING	CHK'D R. PUDELKO	DATE 12 MAR 82	CABLE ASSY, R/W					
REMOVE BURRS AND BREAK SHARP CORNERS	DES. ENG. D. WARREN	DATE 12 MAR 82						
MATERIAL SEE PARTS LIST	RESP. ENG. D. WILLIAMS	DATE 12 MAR 82						
FINISH NONE	MFG. ENG. J. CHERNOVA	DATE 12 MAR 82	DOCUMENT NUMBER					
	TOP DOC. C-1A-7018418-0-DBU		SIZE CODE NUMBER REV.					
			C 1A 7018418-0-DBU C					
			SCALE NONE SHEET 1 OF 1					

REV. C  
 SIZE CODE C  
 NUMBER 7018418-0-DBU  
 SHEET 1 OF 1

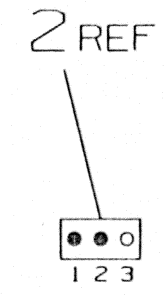
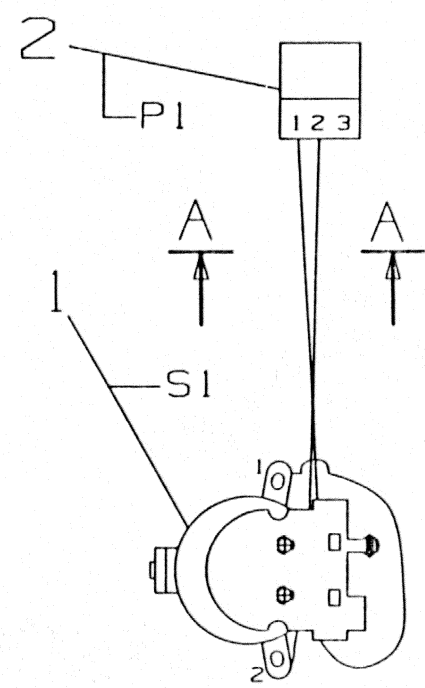
"THIS DRAWING AND SPECIFICATIONS, HEREIN, ARE THE PROPERTY OF DIGITAL EQUIPMENT CORPORATION AND SHALL NOT BE REPRODUCED OR COPIED OR USED IN WHOLE OR IN PART AS THE BASIS FOR THE MANUFACTURE OR SALE OF ITEMS WITHOUT WRITTEN PERMISSION. COPYRIGHT © 1982 DIGITAL EQUIPMENT CORPORATION"

### WIRE TABLE

ITEM NO.	DESCRIPTION		FROM		TO		REMARKS (PRECUT LENGTH)
	AWG	COLOR	CONN	WITH	CONN	WITH	
3	26	BLU	PI-2	—	SI-2	SLDR	4.00 ±.12
4	26	YEL	PI-1	—	SI-1	SLDR	5.00 ±.12

### NOTES:

- ROUTE BLUE WIRE BETWEEN FRAME & COIL HSG.
- ROUTE YELLOW WIRE AROUND BACK OF FRAME THEN BETWEEN FRAME & COIL HSG.



VIEW "A-A"

LEGEND		
PART NO.	REV	VARIATION
7018933-00	A1	AS SHOWN

CAUTION: OFF-SHEET PARTS LIST EXISTS SEE K-PL-7018933-0-DBP

REVISIONS	CHANGE NO.	REV.
RP	7018933-SH001 B	A
C.W.FIELDS 6/26/84		
DALE WILLIAMS		

FIRST HIGHER ASS'Y B-AD-7019120-0-DBU

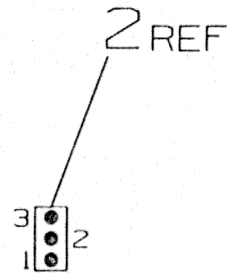
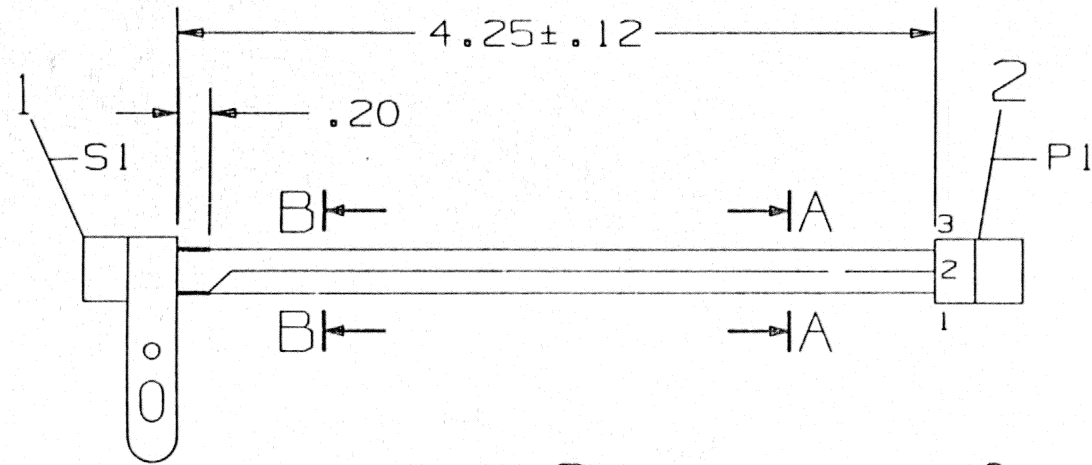
DESCRIPTION	DRAWING NO.	PART NO.	ITEM NO.
UNLESS OTHERWISE SPECIFIED DIMENSIONS ARE IN INCHES AND THE FOLLOWING TOLERANCES APPLY (PER DEC STD 114)			
INCHES TOLERANCES <del>.X1 ±.1</del> <del>.XX ±.02</del> <del>.XXX ±.005</del>	ANGLES 10°-30°  SURFACE QUALITY <input checked="" type="checkbox"/> MICROINCHES	APPLICABLE DIMENSION RANGE (CHECK ONE)	
		<input type="checkbox"/> OVER 0 TO 0.2 <input type="checkbox"/> OVER 0.2 TO 1.2 <input type="checkbox"/> OVER 1.2 TO 4.0 <input type="checkbox"/> OVER 4.0 TO 12.0 <input type="checkbox"/> OVER 12.0 TO 40.0 <input type="checkbox"/> OVER 40.0 TO 80.0	
QUANTITY & VARIATION	DIMENSION RANGE IN INCHES		
	±.004	±.008	±.012
	±.016	±.024	±.04
THIRD ANGLE PROJECTION 	DRN A. PINKARD DATE 13 NOV 81	TITLE <b>digital</b>	
DO NOT SCALE DRAWING REMOVE BURRS AND BREAK SHARP CORNERS	CHK'D R. PUDELKO DATE 12 MAR 82	CABLE ASSY, SOLENOID	
MATERIAL SEE PARTS LIST	DES. ENG. D. WARREN DATE 12 MAR 82	DOCUMENT NUMBER	
FINISH NONE	RESP. ENG. M. CARMAN DATE 12 MAR 82	B 1A 7018933-0-DBU B	
	MFG. ENG. G. AIKEY DATE 12 MAR 82	SCALE NONE SHEET 1 OF 1	

"THIS DRAWING AND SPECIFICATIONS, HEREIN, ARE THE PROPERTY OF DIGITAL EQUIPMENT CORPORATION AND SHALL NOT BE REPRODUCED OR COPIED OR USED IN WHOLE OR IN PART AS THE BASIS FOR THE MANUFACTURE OR SALE OF ITEMS WITHOUT WRITTEN PERMISSION.  
 COPYRIGHT © 1982 DIGITAL EQUIPMENT CORPORATION"

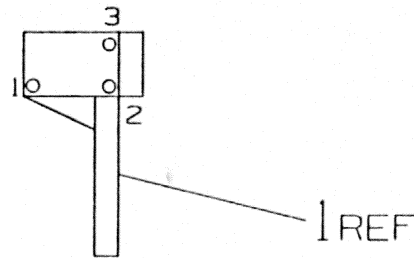
### WIRE TABLE

ITEM NO.	DESCRIPTION		FROM		TO		REMARKS (PRECUT LENGTH)
	AWG	COLOR	CONN	WITH	CONN	WITH	
3	26	YEL	P1-3	---	S1-3	SLDR	4.25 ± .12
4	26	RED	P1-2	---	S1-1	SLDR	4.25 ± .12
5	26	BLU	P1-1	---	S1-2	SLDR	4.25 ± .12

NOTES:



VIEW "A-A"



VIEW "B-B"

LEGEND		
PART NO.	REV	VARIATION
7018931-00	A1	AS SHOWN

LAYER 2: FORMAT LAYER  
 LAYER 1: WORK LAYER  
 PLOT AT : 1.00

CAUTION: OFF-SHEET PARTS LIST EXISTS  
 SEE K-PL-7018931-0-DBP

REVISIONS	CHANGE NO.	REV.
		A
		B

7018931-SHO01  
 G.C.MACKENZIE 19 MAY 84  
 DALE WILLIAMS

FIRST HIGHER ASS'Y E-UA-RX50-0-DBU

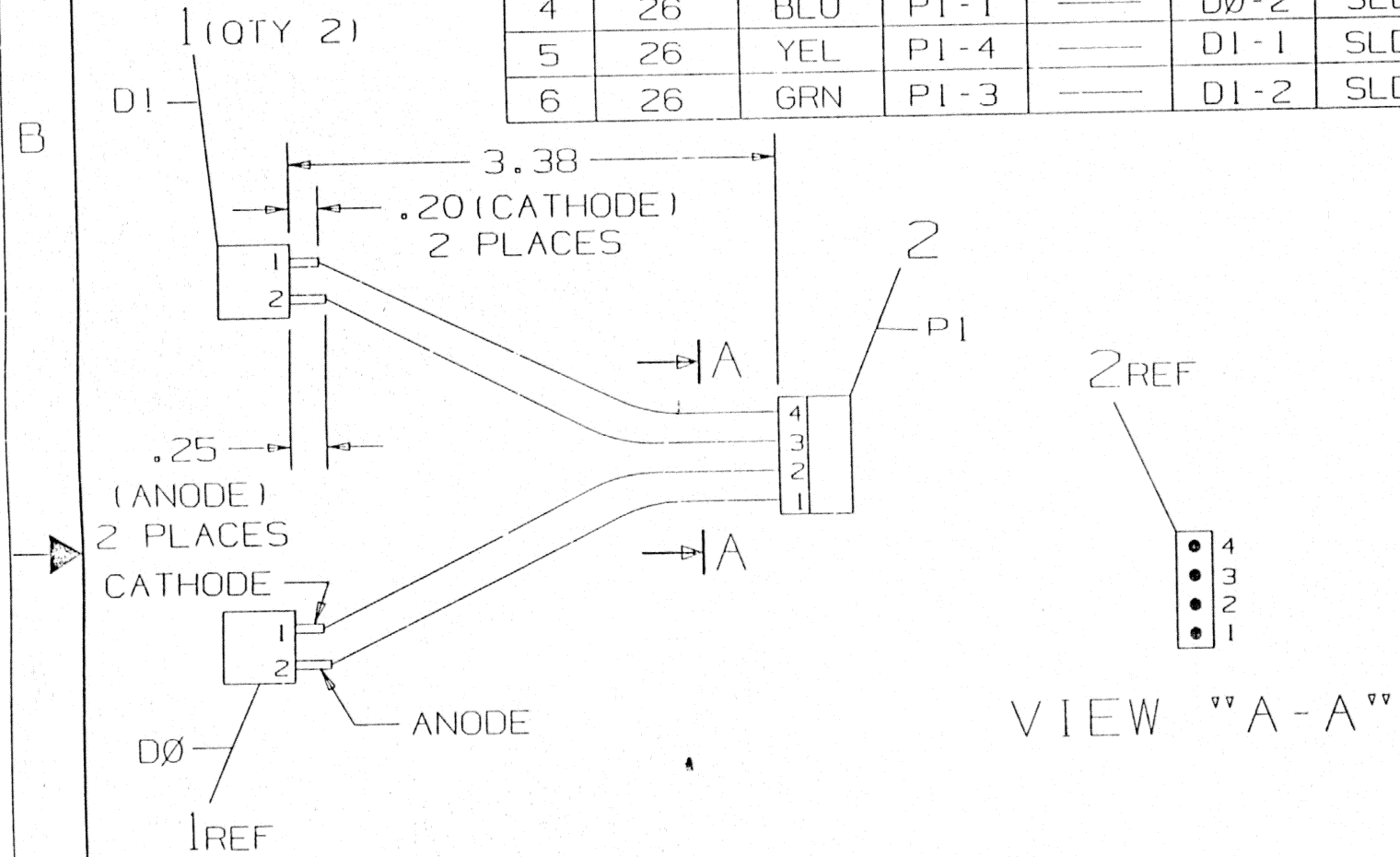
DESCRIPTION	DRAWING NO.	PART NO.	ITEM NO.
UNLESS OTHERWISE SPECIFIED DIMENSIONS ARE IN INCHES AND THE FOLLOWING TOLERANCES APPLY (PER DEC STD 114)			
INCHES TOLERANCES	ANGLES 90° 30'	APPLICABLE DIMENSION RANGE	
		CHECK ONE	
SURFACE QUALITY	MICROINCHES	DIMENSION RANGE IN INCHES	
		OVER 4.0 TO 12.0	
QUANTITY & VARIATION	THIRD ANGLE PROJECTION	TITLE	
		CABLE ASSY, TRACK 0 SENSOR	
MATERIAL	FINISH	DOCUMENT NUMBER	
		B-1A-7018931-0-DBU	
SEE PARTS LIST	NONE	SCALE NONE	
		SHEET 1 OF 1	

"THIS DRAWING AND SPECIFICATIONS, HEREIN, ARE THE PROPERTY OF DIGITAL EQUIPMENT CORPORATION AND SHALL NOT BE REPRODUCED OR COPIED OR USED IN WHOLE OR IN PART AS THE BASIS FOR THE MANUFACTURE OR SALE OF ITEMS WITHOUT WRITTEN PERMISSION.  
 COPYRIGHT © 1982 DIGITAL EQUIPMENT CORPORATION"

### WIRE TABLE

ITEM NO.	DESCRIPTION	FROM	TO		REMARKS (PRECUT LENGTH)
			CONN	WITH	
3	26 RED	PI-2	DØ-1	SLDR	3.50 ± .12
4	26 BLU	PI-1	DØ-2	SLDR	3.50 ± .12
5	26 YEL	PI-4	D1-1	SLDR	3.50 ± .12
6	26 GRN	PI-3	D1-2	SLDR	3.50 ± .12

NOTES:  
 1. BEFORE SOLDERING, ADD ITEM 7 (SHRINK TUBING) 4 PLACES.



LEGEND		
PART NO.	REV	VARIATION
7019041-00	A2	AS SHOWN

LAYER 2: FORMAT LAYER  
 LAYER 1: WORK LAYER  
 PLOT AT: 1.00

CAUTION: OFF-SHEET PARTS LIST EXISTS SEE K-PL-7019041-0-DBP

REV.	CHANGE NO.	INITIAL	DATE
A			
B			

7019041-SH001  
 G. DRAYTON 6/16/83  
 DALE WILLIAMS

FIRST HIGHER ASSY B-1A-7019118-0-DBU

DESCRIPTION	DRAWING NO.	PART NO.	ITEM NO.			
UNLESS OTHERWISE SPECIFIED DIMENSIONS ARE IN INCHES AND THE FOLLOWING TOLERANCES APPLY (PER DEC STD 114)						
INCHES TOLERANCES .X1 ± .1 .XX1 ± .02 .XXX ± .005	ANGLES 10° 30'  SURFACE QUALITY <input checked="" type="checkbox"/> MICROFINISH	DIMENSION RANGE IN INCHES				
		APPLICABLE DIMENSION RANGE <input type="checkbox"/> CHECK ONE	OVER 0.2 TO 0.2 <input type="checkbox"/> ±.02 <input type="checkbox"/> ±.004	OVER 0.2 TO 1.2 <input type="checkbox"/> ±.03 <input type="checkbox"/> ±.008	OVER 1.2 TO 4.0 <input type="checkbox"/> ±.03 <input type="checkbox"/> ±.012	OVER 4.0 TO 12.0 <input type="checkbox"/> ±.03 <input type="checkbox"/> ±.018
THIRD ANGLE PROJECTION <input checked="" type="checkbox"/>	DRW. A. PINKARD DATE 13 NOV 81	TITLE digital CABLE ASSY BEZEL LED				
DO NOT SCALE DRAWING REMOVE BURRS AND BREAK SHARP CORNERS	DES. ENG. R. PUDELKO DATE 12 MAR 82	DOCUMENT NUMBER B 1A 7019041-0-DBU B				
MATERIAL SEE PARTS LIST	RES. ENG. D. WARREN DATE 12 MAR 82	SCALE NONE SHEET 1 OF 1				
FINISH NONE	MFG. ENG. G. AIKEY DATE 12 MAR 82	TOP DOC. B-1A-7019041-0-DBU				