

LINE	ITEM	TOP DOCUMENT	PART NUMBER	MIN REV	DESCRIPTION	QUANTITY PER VARIATION/REVISION		
						A	B	C
						02	02	02
1	1		12-20292-01		WASHER,CUP PLASTIC	1	1	1
2	2	E-AD-7019579-0-0	70-19579-00	B	REAR COVER ASSY	1	1	1
3	3		90-06025-01		SCREW,MACH PAN PHIL 6-32	1	1	1
4	4		12-20293-01		CAP,SNAP OFF WHITE FOR 12-20292-01	1	1	1
5	5	E-AD-7019578-0-0	70-19578-00	F	BEZEL ASSY.	1	-	-
6	6	E-AD-7019578-0-0	70-19578-01	F	BEZEL ASSY, (GRN POS)	-	1	-
7	7	E-AD-7019578-0-0	70-19578-02	F	BEZEL ASSY, (AMBER POS)	-	-	1
8	8		90-06659-00		WASHER,FLAT S/PAS	1	1	1
9	9	A-PA-3700688-0-0	37-00688-01	B	PKG VR201 MONOCHROME MONITOR	1	1	1

REVISION HISTORY			KPL MATRIX FORMAT		SECTION A OF A		DRN: B. NETTO		DIGITAL			
ENG	ECO NUMBER	REV	SECTION/VARIATION INDEX		DATE: 03-MAY-82		CHK'D: D. HEALY		TITLE PARTS LIST			
---	INITIAL	A	[A]	A ,B ,C	DATE: 04-MAY-82		DATE: 04-MAY-82		MONITOR ASSY			
BN	VR201-ML004	B	[B]		DES.ENG: D. MOORE		DATE: 04-MAY-82		DOCUMENT NUMBER			
DB	VR201-ML008	C	[C]		RESP.ENG.: D. BOUDREAU		DATE: 04-MAY-82		SIZE	CODE	NUMBER	REV
			[D]		MFG.ENG: G. WU		DATE: 04-MAY-82		K	PL	VR201-0-DBP	C
			[E]		RELEASE DATE: 18-MAR-87		RELEASE STATUS: RELEASED					
			[F]		BASIC PART NUMBER: VR201		ASSEMBLY NUMBER: E-UA-VR201-0-0		TOP DOCUMENT NUMBER: B-DD-VR201-0		FILE NAME: Z4564C.PLS	
			[G]								EDIT # 6	
			[H]									
			[I]									
			[J]									

"THIS DRAWING AND THE SPECIFICATIONS CONTAINED HEREIN ARE CONFIDENTIAL AND PROPRIETARY. THEY ARE THE PROPERTY OF DIGITAL EQUIPMENT CORPORATION AND SHALL NOT BE REPRODUCED OR COPIED OR USED IN WHOLE OR IN PART AS THE BASIS FOR THE MANUFACTURE OR SALE OF ITEMS WITHOUT WRITTEN PERMISSION. THIS IS AN UNPUBLISHED WORK PROTECTED UNDER THE FEDERAL COPYRIGHT LAWS."

DRAWING NO.	NO. OF SHTS.	PART NO.	DESCRIPTION	REVISIONS																
				A	A	A	A	A	A	A	A	A	J1	J1	J2	J3	K1	K1	K2	K3
		5415500-00	VR201 MONITOR	A	A	A	A	A	A	A	A	A	J1	J1	J2	J3	K1	K1	K2	K3
E-UA-5415500-0-0	1		VR201 MONITOR	A	B	C	C	D	D	E	F	H	H	H	J	J	K	K	K	L
D-CS-5415500-0-1	1		VR201 MONITOR	A	B	C	D	D	E	F	F	H	J	J	K	K	L	L	M	M
K-PL-5415500-0-DBP	4		VR201 MONITOR	A	B	C	D	E	F	H	J	K	L	L	L	M	N	N	P	R
K-PC-5415500-0-DBA			P.C. DESIGN DATA BASE	C	C	C	C	C	C	D	D	D	D	D	D	E	E	E	E	
		5015499-00	ETCHED CIRCUIT BOARD	C	C	C	C	C	C	D	D	D	D1	D1	D1	D1	E1	E1	E1	E1
B-DD-5015499-0-0	1		DRAWING DIRECTORY	-	-	-	-	-	-	-	-	-	-	-	-	A	B	C	C	C

NOTES:

REVISION HISTORY		REV.	A	B	C	D	E	F	H	J	K	L	M	N	P	R	S	T	U
DATE	ECO NO.																		
6-82	INIT																		
9-82	ML001																		
11-82	ML002																		
11/82	ML003																		
12/82	ML004																		
12/82	ML005																		
1/83	ML006																		
9/83	ML007																		
10/83	ML008																		
11/83	ML009																		
2/84	RETYPED ML010																		
3/84	ML011																		
3/84	RETYPED ML012																		
8/84	ML013																		
12/84	ML014																		
2/85	ML015																		
5/85	ML016																		

THIS DRAWING AND THE SPECIFICATIONS CONTAINED HEREIN ARE CONFIDENTIAL AND PROPRIETARY. THEY ARE THE PROPERTY OF DIGITAL EQUIPMENT CORPORATION AND SHALL NOT BE REPRODUCED OR COPIED OR USED IN WHOLE OR IN PART AS THE BASIS FOR THE MANUFACTURE OR SALE OF ITEMS WITHOUT WRITTEN PERMISSION. THIS IS AN UNPUBLISHED WORK PROTECTED UNDER THE FEDERAL COPYRIGHT LAWS. 1982



DRN. JOHN COTE	DATE 22 JUN 82	TITLE VR201 MONITOR
CHK. JOHN COTE	DATE 28 JUN 82	
DES. ENG. BILL NOTT	DATE 28 JUN 82	DOCUMENT NUMBER
RESP. ENG. BILL NOTT	DATE 28 JUN 82	SIZE B CODE DD NUMBER 5415500-0-0 REV AA
MFG. ENG. CLYDE TANNER	DATE 28 JUN 82	SHEET 1 OF 2

DRAWING NO.	NO OF SHTS	PART NO.	DESCRIPTION	REVISIONS															
				K4	K5	K6	K7	L1	L2	L3	L4	L5	L6	L7	L8	L9			
		5415500-00	VR201 MONITOR																
E-UA-5415500-0-0	1		VR201 MONITOR	M	N	N	N	P	P	P	R	R	R	S	S	S			
D-CS-5415500-0-1	1		VR201 MONITOR	N	N	N	N	P	P	P	P	P	P	P	F				
K-PL-5415500-0-DBP	4		VR201 MONITOR	S	T	T	T	U	U	U	V	V	V	W	W	W			
K-PC-5415500-0-DBA			P.C. DESIGN DATA BASE	E	-	-	E	-	-	F	-	-	F	-	-	F			
		5015499-00	ETCHED CIRCUIT BOARD	E1	D1	E1	E2	D1	E1	E2	D1	E1	E2	D1	E1	E2			
B-DD-5015499-0-0	1		DRAWING DIRECTORY	C	-	-	D	-	-	D	-	-	D	-	-	D			

NOTES: FIELD SERVICE REVISIONS ARE: K5, K6, L1, L2, L4, L5

REVISION HISTORY			REV.	V	W	W	W	Y	Y	Y	Z	Z	Z	AA	AA	AA
DATE	ECO NO.															
10-85	MLO17															
7/86	5415500- ML018															
7/86	5415500- ML018															
7/86	5415500- ML018															
8/86	5415500- ML019															
8/86	5415500- ML019															
8/86	5415500- ML019															
12/86	5415500- ML020															
12/86	5415500- ML020															
12/86	5415500- ML020															
6/87	5415500- ML021															
6/87	5415500- ML021															
6/87	5415500- ML021															

THIS DRAWING AND THE SPECIFICATIONS CONTAINED HEREIN ARE CONFIDENTIAL AND PROPRIETARY. THEY ARE THE PROPERTY OF DIGITAL EQUIPMENT CORPORATION AND SHALL NOT BE REPRODUCED OR COPIED OR USED IN WHOLE OR IN PART AS THE BASIS FOR THE MANUFACTURE OR SALE OF ITEMS WITHOUT WRITTEN PERMISSION. THIS IS AN UNPUBLISHED WORK PROTECTED UNDER THE FEDERAL COPYRIGHT LAWS.



DRN. J. COTE	DATE 22 JUN 82	TITLE VR201 MONITOR
CHK'D J. COTE	DATE 28 JUN 82	
DES. ENG. B. NOTT	DATE 28 JUN 82	DOCUMENT NUMBER
RESP. ENG. B. NOTT	DATE 28 JUN 82	SIZE B CODE DD NUMBER 5415500-0-0 REV AA
MFG. ENG. C. TANNER	DATE 28 JUN 82	SHEET 2 OF 2

REWORK INSTRUCTIONS
FOR ALL ETCHES
ECO 5415500-ML006

- 6-1 WIRE ADD SIDE 2 AS SHOWN USE PTH'S TO GO FROM E1-4 TO Q9 COLLECTOR.
- 6-2 COMPONENT ADD SIDE 1 AS SHOWN. SOLDER LEADS OF C16 TO R64-2 AND Q9 BASE. KEEP LEADS AS SHORT AS POSSIBLE.

FOR MODULES USING REVISION D1 AND E1 ETCHES:

- ECO 5415500-ML018A
- 18-1 SIDE 2, REMOVE THE LETTERS "FOC" NEAR R43.

- ECO 5415500-ML019
- 19-1 SIDE 1, ADD COMPONENT C17.

ECO 5415500-ML020

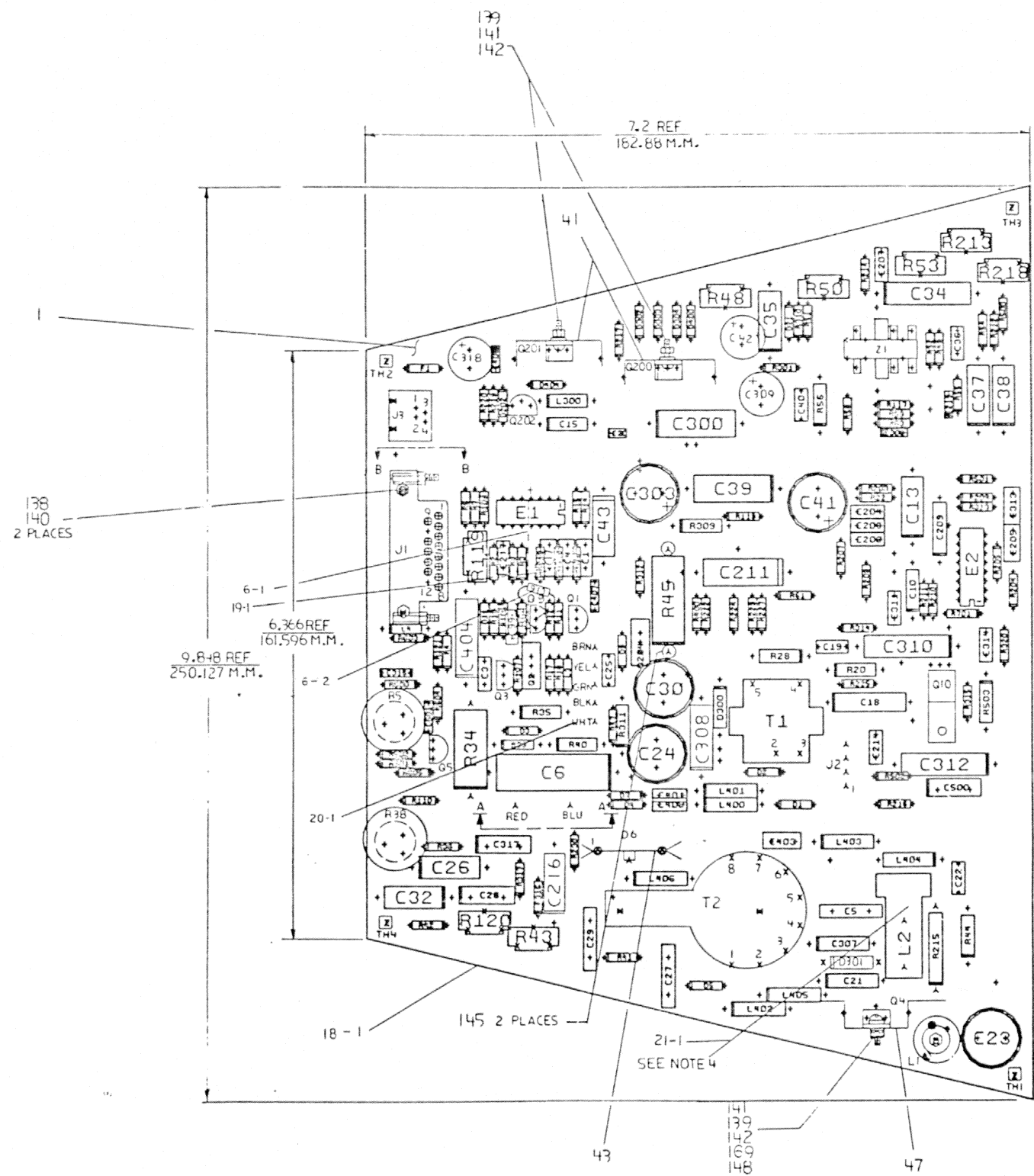
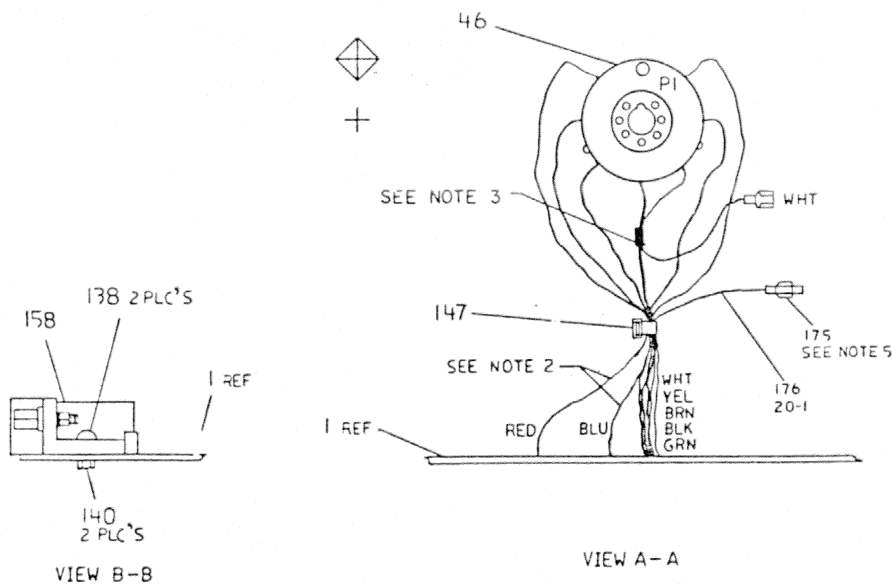
- 20-1 SOLDER 4.5 INCH LENGTH OF ITEM 176 TO PTH NEXT TO BLACK WIRE. STRIP OTHER END .19 ± .03 AND CRIMP ITEM 175 TO IT.

ECO 5415500-ML021

- 21-1. REMOVE HORIZONTAL LINEARITY COIL (L2) AND ENSURE THAT PLATED THROUGH HOLES ARE CLEAR OF ANY CONTAMINATION SUCH AS WAX DEPOSITS. REINSERT L2 AND SOLDER. USE HOT WAX GLUE, PART NO. 4901303-00 TO ADHERE L2 TO THE BOARD.

NOTE 4: USE ITEM 170 (HOT WAX GLUE) TO ADHERE ITEM 131 (L2) TO ITEM 1 (BOARD). ENSURE ITEM 170 DOES NOT INTERFERE WITH PLATED THRU HOLES.

5. STRIP WHITE WIRE (ITEM 176) .19 ± .03 AND CRIMP ITEM 175 TO IT.



DATE	11/14/77
DESIGNED BY	W. J. ...
DRW. NO.	...
REV. NO.	...
REV. DATE	...
REV. BY	...
REV. REASON	...
ECO NO.	5415500-0-0
ECO REV. NO.	...
ECO REV. DATE	...
ECO REV. BY	...
ECO REV. REASON	...
ECO REV. NO.	...
ECO REV. DATE	...
ECO REV. BY	...
ECO REV. REASON	...

DATE	11/14/77
DESIGNED BY	W. J. ...
DRW. NO.	...
REV. NO.	...
REV. DATE	...
REV. BY	...
REV. REASON	...
ECO NO.	5415500-0-0
ECO REV. NO.	...
ECO REV. DATE	...
ECO REV. BY	...
ECO REV. REASON	...

DATE	11/14/77
DESIGNED BY	W. J. ...
DRW. NO.	...
REV. NO.	...
REV. DATE	...
REV. BY	...
REV. REASON	...
ECO NO.	5415500-0-0
ECO REV. NO.	...
ECO REV. DATE	...
ECO REV. BY	...
ECO REV. REASON	...

DATE	11/14/77
DESIGNED BY	W. J. ...
DRW. NO.	...
REV. NO.	...
REV. DATE	...
REV. BY	...
REV. REASON	...
ECO NO.	5415500-0-0
ECO REV. NO.	...
ECO REV. DATE	...
ECO REV. BY	...
ECO REV. REASON	...

DATE	11/14/77
DESIGNED BY	W. J. ...
DRW. NO.	...
REV. NO.	...
REV. DATE	...
REV. BY	...
REV. REASON	...
ECO NO.	5415500-0-0
ECO REV. NO.	...
ECO REV. DATE	...
ECO REV. BY	...
ECO REV. REASON	...

DATE	11/14/77
DESIGNED BY	W. J. ...
DRW. NO.	...
REV. NO.	...
REV. DATE	...
REV. BY	...
REV. REASON	...
ECO NO.	5415500-0-0
ECO REV. NO.	...
ECO REV. DATE	...
ECO REV. BY	...
ECO REV. REASON	...

DATE	11/14/77
DESIGNED BY	W. J. ...
DRW. NO.	...
REV. NO.	...
REV. DATE	...
REV. BY	...
REV. REASON	...
ECO NO.	5415500-0-0
ECO REV. NO.	...
ECO REV. DATE	...
ECO REV. BY	...
ECO REV. REASON	...

LINE	ITEM	TOP DOCUMENT	PART NUMBER	MIN REV	DESCRIPTION	QTY	PER VAR/REV	REFERENCE DESIGNATORS
						00		
						L9		
1	1	D-MD-5015499-0-0	50-15499-00		CIRCUIT DRILL & ETCH	1		
2	2		10-00009-00	33	PFD 100V +/- 5% 200PP	1		C36
3	3		10-00016-00	100	PFD 100V +/- 5% 200PP	1		C206
4	4		10-00060-00	6800	PFD 200V +/-10% MYLAR	1		C307
5	5		10-01631-00	390	PFD 100V +/- 5% 200PP	1		C99
6	6		10-04813-00	10	MFD 20V +/-10% SOL	2		C15,C43
7	7		10-09312-00	4700	PFD 100V +/- 1% POLYP	1		C13
8	8		10-10274-02	1.0	MFD 50V +80/-20% Z5U C	1		C601
9	9		10-10978-36	0.10	MFD 50V +/-10% X7R C	5		C306,C314,C316,C406,C407
10	10		10-10978-40	0.22	MFD 50V +/-10% X7R C	3		C200,C204,C205
11	11		10-12219-00	47	MFD 30V +75/-10% ALU	1		C211
12	12		10-12312-01	0.47	MFD 50V +80/-20% Z5U C	8		C1,C3,C4,C16,C207,C217,C311, CONT C313
13	13		10-12784-00	0.047	MFD 50V +80/-20% Z5U C	1		C214
14	14		10-13280-00	680	PFD 1000V +/- 5% 200PP	1		C500
15	15		10-13291-00		*** THIS ITEM IS NOT USED ***	-		
16	16		10-13669-02	0.10	MFD 150V +/- 5% M.POL	3		C35,C37,C38
17	17		10-13963-00	3300	PFD 500V +/-20% Z5U	3		C400,C401,C403
18	18		10-14052-00	100	MFD 25V +100/-10% ALU	5		C34,C39,C310,C312,C404
19	19		10-16544-00	0.10	MFD 100V +/-10% MYLAR	4		C19,C22,C25,C40
20	20		10-16546-00	0.22	MFD 600V +/-10% MET.	2		C216,C308
21	21		10-16547-00		*** THIS ITEM IS NOT USED ***	-		
22	22		10-16548-00	1000	MFD 16V +50/-10% ALU	4		C24,C30,C41,C303
23	23		10-16553-00	4.7	MFD 25V +75/-10% ALU	1		C209
24	24		10-16555-00	22	MFD 50V +50/-10% ALU	4		C18,C26,C32,C300
25	25		10-16557-00	470	MFD 16V +50/-20% ALU	3		C42,C309,C318
26	26		10-16558-00	10	MFD 25V +/-25% ALU	1		C23
27	27		10-16571-00	0.020	MFD 500V +80/-20% Z5U	1		C5
28	28		10-17891-02	0.010	MFD 50V +/- 5% POLYP	1		C10
29	29		10-19559-01	0.020	MFD 1000V +80/-20% Y5U/Z	3		C27,C29,C317
30	30		10-20166-01	10	MFD 250V +50/-10% ALU	1		C6
31	31		11-05796-00		PIV= 400 IO= 1.00A 1N4004 DO-41	6		D3,D21,D302-D304,D400

REVISION HISTORY			KPL MODULE FORMAT		SECTION A OF A		DRN: R.Z. BUREAU		DIGITAL				
ENG	ECO NUMBER	REV	SECTION/VARIATION INDEX		DATE: 03-MAY-82		CHK'D: JOHN COTE		TITLE PARTS LIST				
BN	5415500-ML006	H	[A]	00	[M]	DATE: 22-JUN-82		DES.ENG: BILL NOTT		VR201 MONITOR			
B.N	5415500-ML007	J	[B]		[N]	DATE: 22-JUN-82		DATE: 22-JUN-82		DOCUMENT NUMBER			
BN	5415500-ML008	K	[C]		[P]	RESP.ENG.: BILL NOTT		DATE: 22-JUN-82		SIZE	CODE	NUMBER	REV
AJ	5415500-ML009	L	[D]		[Q]	DATE: 22-JUN-82		K	PL	5415500-0-DBP	W		
AJ	5415500-ML012	M	[E]		[R]	MFG.ENG: CLYDE TANNER		DATE: 24-JUN-82		RELEASE DATE: 30-OCT-87			
AJ	5415500-ML013	N	[F]		[S]	DATE: 24-JUN-82		RELEASE STATUS: RELEASED					
AJ	5415500-ML015	P	[H]		[T]								
JH	5415500-ML016	R	[J]		[V]								
JH	5415500-ML017	S	[K]		[W]								
JH	5415500-ML018	T	[L]		[Y]								
JH	5415500-ML019	U											
DB	5415500-ML020	V	BASIC PART NUMBER:		ASSEMBLY NUMBER:		TOP DOCUMENT NUMBER:		FILE NAME:		EDIT #		
JB	5415500-ML021	W	5415500		D-UA-5415500-0-0		B-DD-5415500-0		Z4454W.PLS		2		

"THIS DRAWING AND THE SPECIFICATIONS CONTAINED HEREIN ARE CONFIDENTIAL AND PROPRIETARY. THEY ARE THE PROPERTY OF DIGITAL EQUIPMENT CORPORATION AND SHALL NOT BE REPRODUCED OR COPIED OR USED IN WHOLE OR IN PART AS THE BASIS FOR THE MANUFACTURE OR SALE OF ITEMS WITHOUT WRITTEN PERMISSION. THIS IS AN UNPUBLISHED WORK PROTECTED UNDER THE FEDERAL COPYRIGHT LAWS."

LINE	ITEM	TOP DOCUMENT	PART NUMBER	MIN REV	DESCRIPTION	QTY	PER VAR/REV	REFERENCE DESIGNATORS
						00		
						L9		
32	32		11-09443-00		VZ= 5.1 5% 50 W 1N5231B	1		D11
33	33		11-09502-00		VZ= 12.0 10% 1 W 1N4742	1		D9
34	34		11-09988-00		VZ= 13.0 5% 400 MW 1N964B	1		D404
35	35		11-12594-02		PIV= 600 IO= 3.00A	2		D6,D301
36	36		11-12595-01		PIV= 200 IO= 1.00A AXIAL	4		D1,D2,D4,D7
37	37		11-12595-02		PIV= 600 IO= 1.00A AXIAL	1		D300
38	38		11-15112-00		*** THIS ITEM IS NOT USED ***	-		
39	39		11-20091-01		VZ= 9.6 1% 500 MW	1		D202
40	40		12-10929-05		FUSE PICO 2.50 A 125V AXIAL LEA	1		F1
41	41		12-12487-02		HEAT SINK 01.18X01.	2		
42	42		12-14460-01		*** THIS ITEM IS NOT USED ***	-		
43	43		12-15228-03		HEAT SINKS,T0-220 1.250X0.87	1		
44	44		12-16521-00		PCB,HEADER 04PIN(1X04).156CC STR	1		J2
45	45		12-18826-00		CONN,PHONE JACK 04 POS	1		J3
46	46		12-19608-01		SKT,CRT 07POS TIN	1		P1
47	47		12-20128-01		HEAT SINK,T0-202 1.450X01.	1		
48	48		13-00168-00		10.0 .50 W 5.0 % CF	1		R20
49	49		13-00197-00		33.0 .25 W 5.0 % CF	1		R19
50	50		13-00228-00		100.0 .50 W 5.0 % CF	1		R44
51	51		13-00229-00		100.0 .25 W 5.0 % CF	1		R108
52	52		13-00249-00		150.0 .50 W 5.0 % CF	1		R311
53	53		13-00250-00		150.0 .25 W 5.0 % CF	1		R57
54	54		13-00271-00		220.0 .25 W 5.0 % CF	3		R600,R601,R603
55	55		13-00274-00		220.0 .50 W 5.0 % CF	1		R35
56	56		13-00316-00		470.0 .25 W 5.0 % CF	3		R6,R7,R227
57	57		13-00348-00		680.0 2.0 W 5.0 % CC	1		R34
58	58		13-00365-00		1.0 K .25 W 5.0 % CF	1		R225
59	59		13-00398-00		*** THIS ITEM IS NOT USED ***	-		
60	60		13-00417-00		*** THIS ITEM IS NOT USED ***	-		
61	61		13-00426-00		*** THIS ITEM IS NOT USED ***	-		
62	62		13-00439-00		3.30 K .25 W 5.0 % CF	1		R39
63	63		13-00444-00		*** THIS ITEM IS NOT USED ***	-		
64	64		13-00445-00		4.70 K .50 W 5.0 % CF	1		R40
65	65		13-00447-00		4.70 K .25 W 5.0 % CF	3		R117,R209,R501
66	66		13-00521-00		*** THIS ITEM IS NOT USED ***	-		
67	67		13-01310-00		270.0 K .25 W 5.0 % CF	1		R224
68	68		13-01317-00		10.0 .25 W 5.0 % CF	2		R106,R605
69	69		13-01320-00		*** THIS ITEM IS NOT USED ***	-		
70	70		13-01477-00		*** THIS ITEM IS NOT USED ***	-		
71	71		13-01969-00		22.0 .25 W 5.0 % CF	2		R107,R216
72	72		13-01972-00		270.0 .25 W 5.0 % CF	3		R12,R61,R502
73	73		13-02092-00		220.0 K .25 W 5.0 % CF	1		R36
74	74		13-02379-00		75.0 .25 W 5.0 % CF	1		R8
75	75		13-02391-00		20.0 K .25 W 5.0 % CF	1		R214
76	76		13-02395-00		*** THIS ITEM IS NOT USED ***	-		
77	77		13-02396-00		150.0 K .25 W 5.0 % CF	1		R500
78	78		13-02397-00		180.0 K .25 W 5.0 % CF	1		R204
79	79		13-02411-00		511.0 .25 W 1.0 % RN55D-F10	1		R10
80	80		13-02465-00		*** THIS ITEM IS NOT USED ***	-		
81	81		13-02466-00		100.0 K .25 W 5.0 % CF	6		R210,R217,R230,R316,R317,R602

D	I	G	I	T	A	L	TITLE	SECTION A OF A	SIZE	CODE	DOCUMENT NUMBER	REV
							VR201 MONITOR		K	PL	5415500-0-DBP	W

LINE	ITEM	TOP DOCUMENT	PART NUMBER	MIN REV	DESCRIPTION	QTY PER VAR/REV	REFERENCE DESIGNATORS	
						00 L9		
82	82		13-02887-00	130.0	.25 W 1.0 % RN55D-F10	2	R219,R503	
83	83		13-03114-00	1.0 K	.25 W 1.0 % RN55D-F10	1	R319	
84	84		13-03177-00	2.40 K	.25 W 5.0 % CF	1	R228	
85	85		13-03187-00	820.0 K	.25 W 5.0 % CF	1	R320	
86	86		13-03219-00	82.0 K	.25 W 5.0 % CF	3	R54,R110,R212	
87	87		13-04833-00	1.96 K	.25 W 1.0 % RN55D-F10	1	R14	
88	88		13-04841-00	75.0 K	.25 W 5.0 % CF	3	R206,R222,R400	
89	89		13-04855-00	9.09 K	.25 W 1.0 % RN55D-F10	1	R211	
90	90		13-04868-00	2.74 K	.25 W 1.0 % RN55D-F10	2	R17,R18	
91	91		13-05131-00	*** THIS ITEM IS NOT USED ***			-	
92	92		13-05890-00	*** THIS ITEM IS NOT USED ***			-	
93	93		13-09386-00	*** THIS ITEM IS NOT USED ***			-	
94	94		13-09405-00	68.0	.50 W 5.0 % CF	1	R28	
95	95		13-09422-00	5.10	.25 W 5.0 % CF	1	R315	
96	96		13-09595-00	1.0 M	.25 W 5.0 % CF	2	R207,R208	
97	97		13-09680-00	2.70 M	.25 W 5.0 % CF	2	R41,R42	
98	98		13-11422-00	178.0	.25 W 1.0 % RN55D-F10	2	R2,R3	
99	99		13-11845-00	487.0	.25 W 1.0 % RN55D-F10	1	R220	
100	100		13-12482-00	2.70	.25 W 5.0 % CF	2	R301,R314	
101	101		13-12747-00	*** THIS ITEM IS NOT USED ***			-	
102	102		13-12989-00	*** THIS ITEM IS NOT USED ***			-	
103	103		13-13151-00	3.60 K	.25 W 5.0 % CF	1	R313	
104	104		13-13580-00	360.0	.25 W 5.0 % CF	1	R312	
105	105		13-13589-00	1.40 K	.25 W 1.0 % RN55D-F10	1	R64	
106	106		13-13794-00	787.0	.25 W 1.0 % RN55D-F10	1	R15	
107	107		13-15725-00	.50	5.0 W 3.0 % WW	1	R45	
108	108		13-16012-00	.10	2.0 W 5.0 % WW	1	R215	
109	109		13-16522-01	POT-OPEN/TRIM	100.0K 0.25W 20.0	2	R48,R53	
110	110		13-16522-02	POT-OPEN/TRIM	5.0M 0.25W 20.0	2	R43,R120	
111	111		13-16522-03	POT-OPEN/TRIM	1.0K 0.25W 20.0	1	R119	
112	112		13-16522-05	POT-OPEN/TRIM	250.0K 0.25W 20.0	2	R50,R218	
113	113		13-16522-06	POT-OPEN/TRIM	25.0K 0.5 W 20.0	1	R213	
114	114		13-16836-00	402.0	.25 W 1.0 % RN55D-F10	1	R318	
115	115		13-16845-00	3.30	.50 W 5.0 % CF	2	R56,R309	
116	116		13-17522-00	1.0	.25 W 5.0 % CF	1	R118	
117	117		13-18430-00	165.0	.25 W 1.0 % RN55D-F10	1	R11	
118	118		13-20082-01	*** THIS ITEM IS NOT USED ***			-	
119	119		13-20082-02	*** THIS ITEM IS NOT USED ***			-	
120	120		15-09524-00	2N 3904	NPN 310MW SI 40 40 M	1	Q3	
121	121		15-09525-00	2N 3906	PNP 310MW SI 40100 Y	3	Q1,Q5,Q9	
122	122		15-16490-00	MPSU05	NPN 10W SI 2A	1	Q10	
123	123		15-19535-01	D40D7	NPN 50MW 60V 1A	1	Q2	
124	124		15-20089-01	MDS 20	NPN 2W 250V 1.5A	1	Q204	
125	125		15-20090-01	13006	NPN 80W 300V 8A	1	Q4	
126	126		15-20092-01	MTP5N05	FET T0-220	2	Q200,Q201	
127	127		15-20093-01	BC237B	NPN T0-92	1	Q202	
128	128		16-02723-00	1000	UH 10% 125MA	1	L300	
129	129		16-16309-02	XFMR,HORIZONTAL DRIVE		1	T1	
130	130		16-16536-00	XFMR HORIZONTAL WIDTH		1	L1	
131	131		16-16538-00	COIL,HORIZONTAL,LINEAR		1	L2	

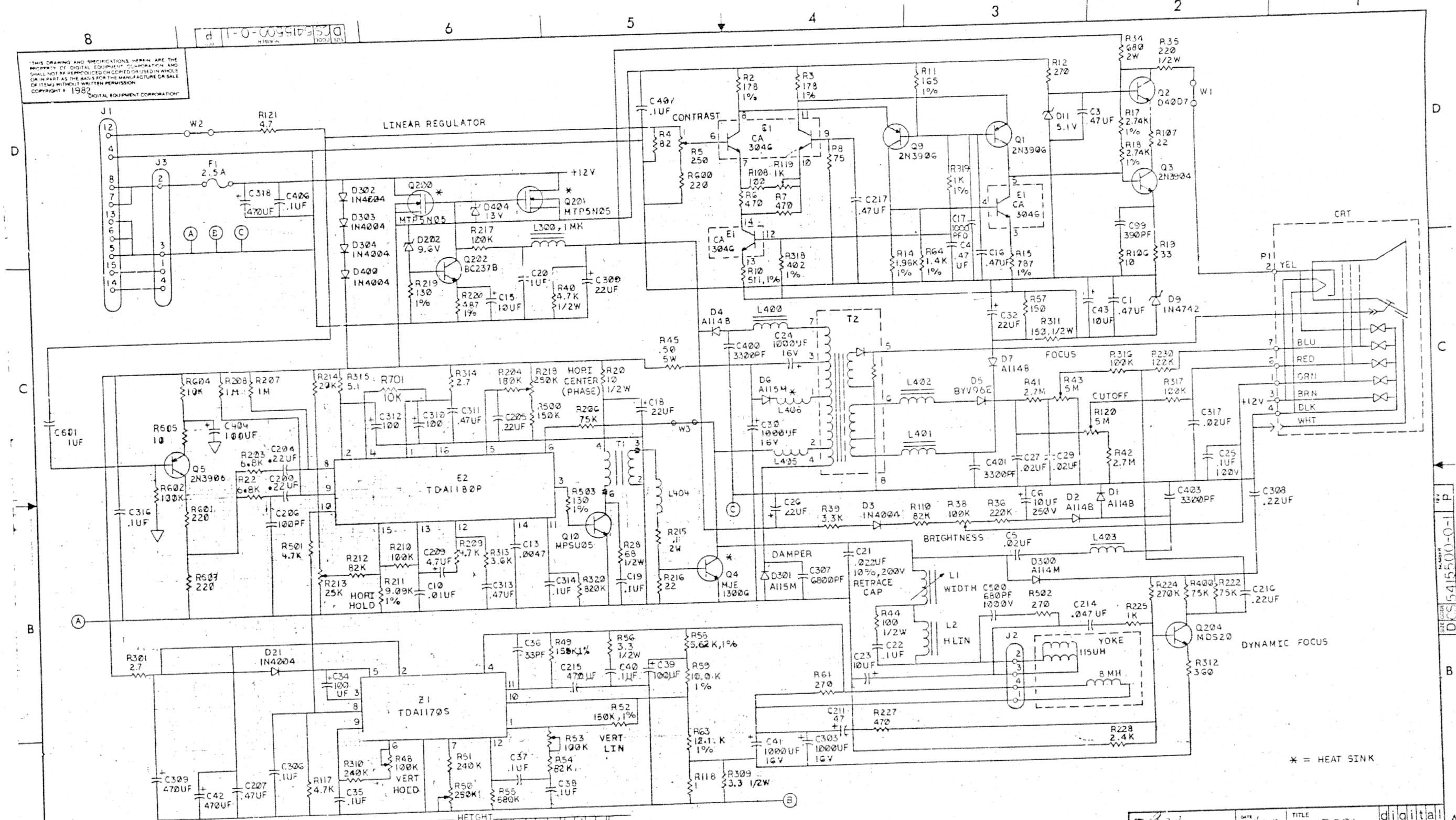
D	I	G	I	T	A	L	TITLE	SECTION A OF A	SIZE	CODE	DOCUMENT NUMBER	REV
							VR201 MONITOR		K	PL	5415500-0-DBP	W

LINE	ITEM	TOP DOCUMENT	PART NUMBER	MIN REV	DESCRIPTION	QTY PER VAR/REV	REFERENCE DESIGNATORS
						00 L9	
132	132		16-18238-02		BEAD,FERRITE .1380DX.330LG	7	L400-L406
133	133		16-20097-01		XFMR,FLYBACK,HIGH VOLTAGE	1	T2
134	134		19-13017-00		3046 XSISTOR ARRAY,3 ISOL	1	E1
135	135		19-19235-00		TDA 1170 AMP,VERTICAL DEFLECT	1	Z1
136	136		19-20088-01		1180 PROCESSOR,TV HORIZ.,	1	E2
137	137		74-27002-01		*** THIS ITEM IS NOT USED ***	-	
138	138		90-06010-01		SCREW,MACH PAN PHIL 4-	2	
139	139		90-06557-00		NUT,HEX EXT TOOTH LCKWSHR 4-40	5	
140	140		90-08054-00		NUT,HEX SLF LCKNG NYL INS 4-40	2	
141	141		90-08268-00		COMPOUND, THERMAL JOINT	A/R	
142	142		90-08301-01		SCREW,MACH PAN PHIL 4-	3	
143	143		90-08451-00		*** THIS ITEM IS NOT USED ***	-	
144	144		90-09185-00		JUMPER, WIRE, INSULATED, BLACK B	2	W1,W2
145	145		90-09798-01		SPACER,CLEAR HOLE RND CERAM .07	2	
146	146		90-09993-01		*** THIS ITEM IS NOT USED ***	-	
147	147		90-09996-00		TIE,CABLE PRELOADED MAG.100 EA	1	
148	148		90-10057-00		WASHER,SHOULDER INSULATG PPS	1	
149	149		91-05740-55		WIRE(WRAP) 30AWG KYNAR UL14	A/R	
150	150		13-14253-00		240.0 K .25 W 5.0 % CF	2	R51,R310
151	151		13-10867-00		680.0 K .25 W 5.0 % CF	1	R55
152	152		13-16444-00		150.0 K .25 W 1.0 % RN55D-F10	1	R52
153	153		13-03313-00		12.10 K .25 W 1.0 % RN55D-F10	1	R63
154	154		13-03312-00		10.0 K .25 W 1.0 % RN55D-F10	1	R59
155	155		13-05128-00		5.62 K .25 W 1.0 % RN55D-F10	1	R58
156	156		13-14990-00		158.0 K .25 W 1.0 % RN55D-F10	1	R49
157	157		10-00024-00		470 PFD 100V +/- 5% 200PP	1	C215
158	158		12-20959-01		CONN,D SUB 15PIN ASSY PC MNT	1	J1
159	159		90-06012-01		*** THIS ITEM IS NOT USED ***	-	
160	160		90-06706-00		*** THIS ITEM IS NOT USED ***	-	
161	161		91-07253-00		TUBING,SHRINK .250ID EXP	A/R	
162	162		13-00479-00		10.0 K .25 W 5.0 % CF	2	R604,R701
163	163		13-01423-00		6.80 K .25 W 5.0 % CF	2	R22,R203
164	164		10-18000-14		1.0 MFD 63V +50/-20% ALU	1	C20
165	165		13-13008-00		5.11 .25 W 1.0 % RN55D-F10	1	R121
166	166		13-02875-00		82.50 .25 W 1.0 % RN55D-F10	1	R4
167	167		10-21480-05		0.022MFD 250V +/- 5% POLYP	1	C21
168	168		11-20828-01		PIV=1000 IO= 1.50A	1	D5
169	169		90-09993-04		WASHER,INSUL,TRANSISTOR PRE-COAT	1	
170	170		49-01303-00		WAX	A/R	
171	171		91-07255-00		TUBING,SHRINK .125ID EXP	A/R	
172	172		10-13466-09		1000 PFD 50V +/-10% X7R C	1	C17
173	173		13-20082-03		POT-P/C MOUNT 250.0 0.25W 30.0	1	R5
174	174		13-20082-04		POT-P/C MOUNT 100.0K 0.25W 30.0	1	R38
175	175		90-07925-01		TERM,QUICK .250TAB 2POS 18-2	1	
176	176	SEE NOTE # 176	91-07804-99		WIRE, 22AWG(07/30)PVC 600V1	A/R	

176 NOTE: ITEM 176 TO BE 4.5 INCHES.

D	I	G	I	T	A	L	TITLE	SECTION A	OF A	SIZE	CODE	DOCUMENT NUMBER	REV
							VR201 MONITOR			K	PL	5415500-0-DBP	W

THIS DRAWING AND SPECIFICATIONS HEREIN ARE THE PROPERTY OF DIGITAL EQUIPMENT CORPORATION AND SHALL NOT BE REPRODUCED OR COPIED IN WHOLE OR IN PART AS THE BASIS FOR THE MANUFACTURE OR SALE OF ITEMS WITHOUT WRITTEN PERMISSION. COPYRIGHT © 1982 DIGITAL EQUIPMENT CORPORATION

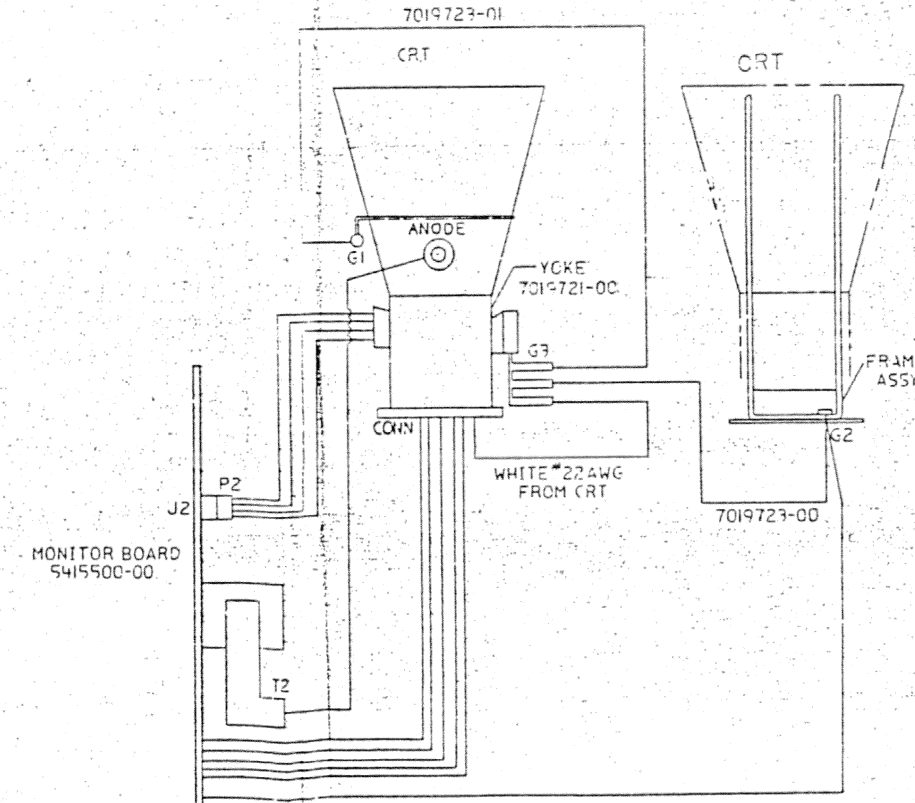
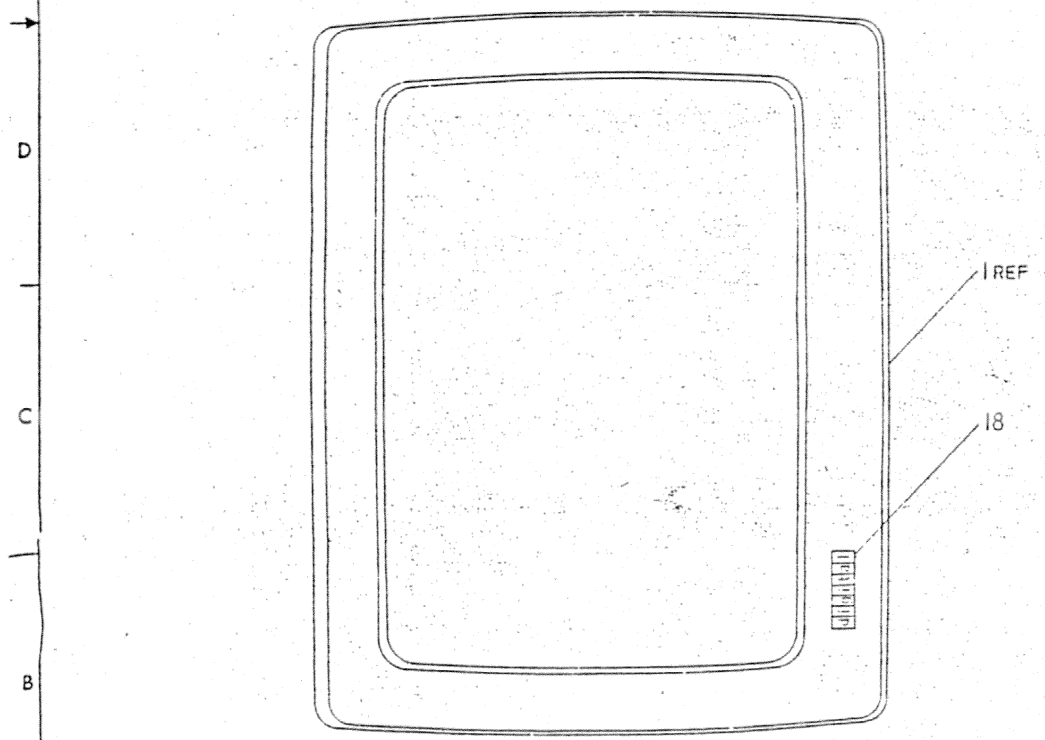
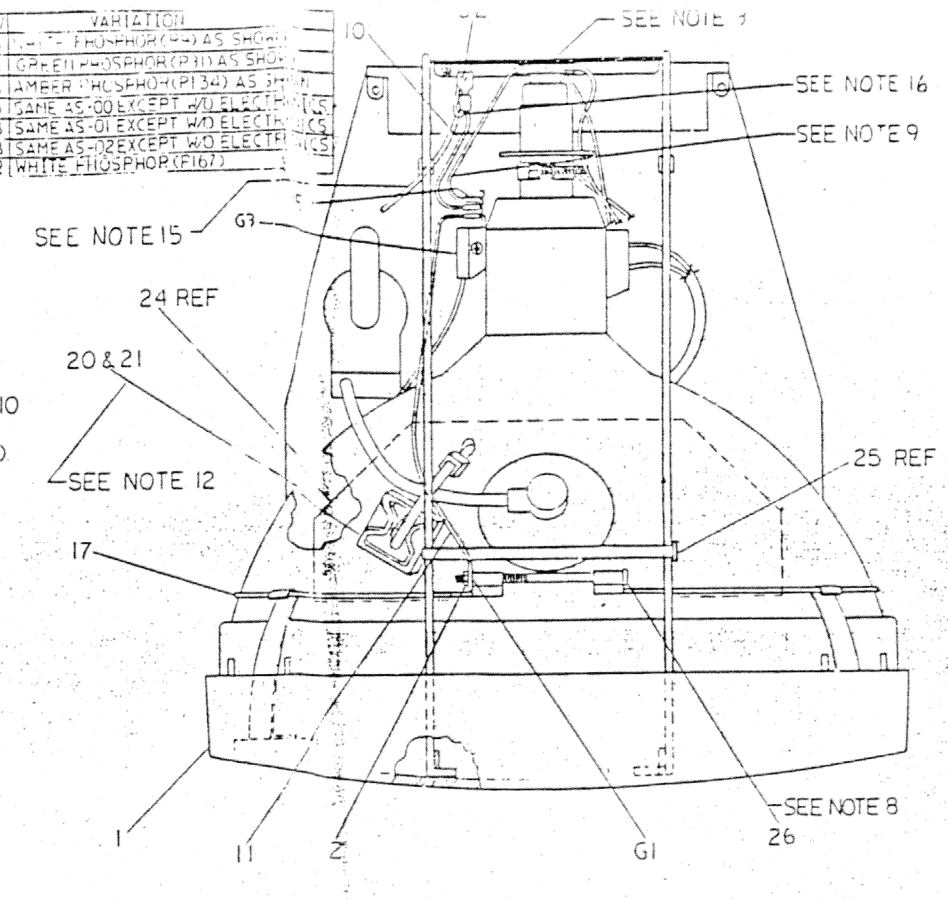
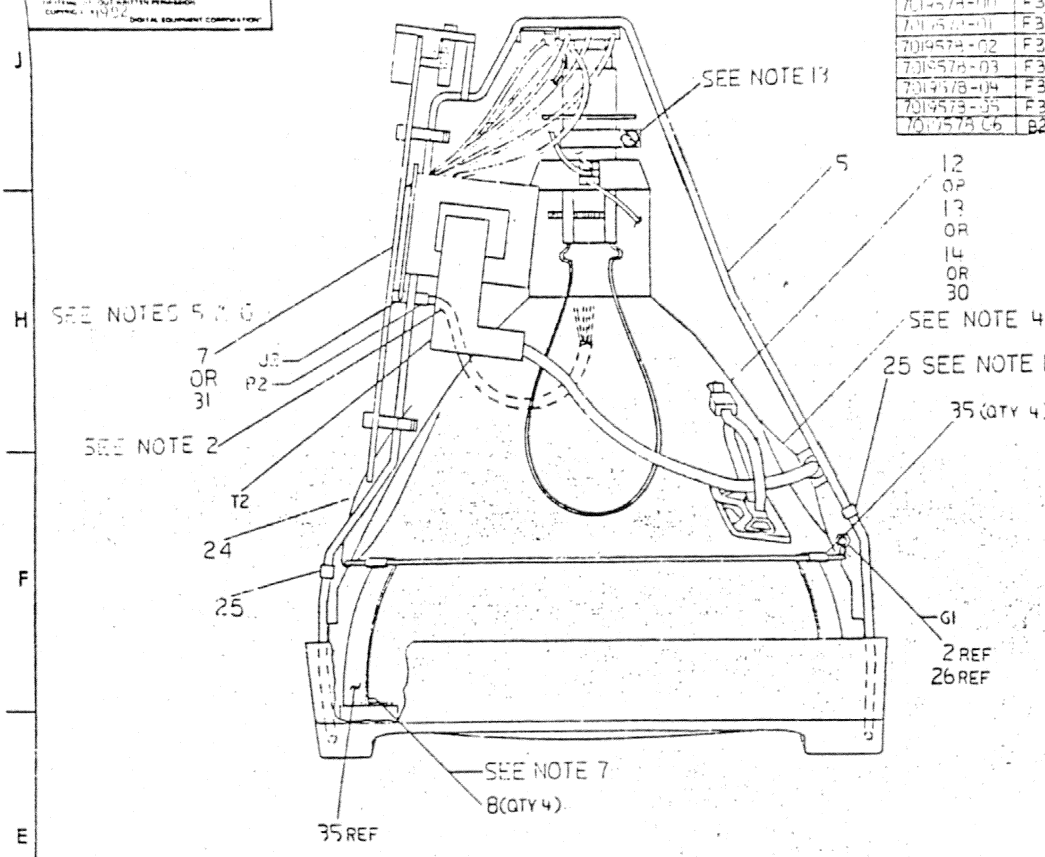


REV	ECO NUMBER	DATE	BY	CHKD	APP'D	DESCRIPTION
1	5415500-ML001	11-11-82	J. HAGERMAN	J. HAGERMAN	J. HAGERMAN	INITIAL
2	5415500-ML002	11-11-82	J. HAGERMAN	J. HAGERMAN	J. HAGERMAN	INITIAL
3	5415500-ML003	11-11-82	J. HAGERMAN	J. HAGERMAN	J. HAGERMAN	INITIAL
4	5415500-ML004	11-11-82	J. HAGERMAN	J. HAGERMAN	J. HAGERMAN	INITIAL
5	5415500-ML005	11-11-82	J. HAGERMAN	J. HAGERMAN	J. HAGERMAN	INITIAL
6	5415500-ML006	11-11-82	J. HAGERMAN	J. HAGERMAN	J. HAGERMAN	INITIAL
7	5415500-ML007	11-11-82	J. HAGERMAN	J. HAGERMAN	J. HAGERMAN	INITIAL
8	5415500-ML008	11-11-82	J. HAGERMAN	J. HAGERMAN	J. HAGERMAN	INITIAL
9	5415500-ML009	11-11-82	J. HAGERMAN	J. HAGERMAN	J. HAGERMAN	INITIAL
10	5415500-ML010	11-11-82	J. HAGERMAN	J. HAGERMAN	J. HAGERMAN	INITIAL
11	5415500-ML011	11-11-82	J. HAGERMAN	J. HAGERMAN	J. HAGERMAN	INITIAL
12	5415500-ML012	11-11-82	J. HAGERMAN	J. HAGERMAN	J. HAGERMAN	INITIAL
13	5415500-ML013	11-11-82	J. HAGERMAN	J. HAGERMAN	J. HAGERMAN	INITIAL
14	5415500-ML014	11-11-82	J. HAGERMAN	J. HAGERMAN	J. HAGERMAN	INITIAL
15	5415500-ML015	11-11-82	J. HAGERMAN	J. HAGERMAN	J. HAGERMAN	INITIAL
16	5415500-ML016	11-11-82	J. HAGERMAN	J. HAGERMAN	J. HAGERMAN	INITIAL
17	5415500-ML017	11-11-82	J. HAGERMAN	J. HAGERMAN	J. HAGERMAN	INITIAL
18	5415500-ML018	11-11-82	J. HAGERMAN	J. HAGERMAN	J. HAGERMAN	INITIAL
19	5415500-ML019	11-11-82	J. HAGERMAN	J. HAGERMAN	J. HAGERMAN	INITIAL
20	5415500-ML020	11-11-82	J. HAGERMAN	J. HAGERMAN	J. HAGERMAN	INITIAL

DATE	11-11-82	TITLE	VR201 MONITOR
DATE	11-11-82	DOCUMENT NUMBER	D CS 5415500-0-1 P
DATE	11-11-82	SCALE	ML3
DATE	11-11-82	SHEET	1

* = HEAT SINK

PART NUMBER	DESCRIPTION	VARIATION
7019574-01	F3 WHITE PHOSPHOR (P10) AS SHOWN	
7019574-02	F3 GREEN PHOSPHOR (P11) AS SHOWN	
7019574-03	F3 AMBER PHOSPHOR (P13) AS SHOWN	
7019574-04	F3 SAME AS -02 EXCEPT W/O ELECTRICAL CONNECTIONS	
7019574-05	F3 SAME AS -02 EXCEPT W/O ELECTRICAL CONNECTIONS	
7019574-06	B2 WHITE PHOSPHOR (P10)	



WHITE #22 AWG FROM MONITOR BOARD SEE NOTE 15

1. DELETED
2. P2 FROM YOKE (PART 7019721-00) PLUGS INTO J2 OF BOARD (ITEM 7019574-01)
3. CONN (PART OF ITEM 7019574-01) ATTACHES TO END OF ITEM 12 OR 13 OR 14 OR 30.
4. ANODE CONNECTOR (PART OF ITEM 7019721-00) IS INSERTED IN ANODE HOLE IN ITEM 12, 13, OR 30.
5. ITEM 7 OR 31 SHOWN WITHOUT COMPONENT FOR CLARITY (EXCEPT TRANSFORMER T2).
6. ITEM 7 OR 31 ATTACHES TO ITEM 5 WITH WIRE CLIPS (PART OF ITEM 7 OR 31).
7. TORQUE ITEM 8 AS FOLLOWS (4 PLACES): USING SCREWDRIVER: 8.0 IN-LBS.
8. TORQUE ITEM 26 AS FOLLOWS USING SCREWDRIVER: 6.0 IN-LBS. FOR VARIATION -05 TORQUE ITEM 26 UNTIL CRT (ITEM 30) SECURES FIRMLY INTO BEZEL (ITEM 1).
9. ON WHITE WIRE FROM TUBE CONN. ITEM 12, 13, 14 OR 30 STRIP .19-.03 & CRIMP ITEM 15 TO WIRE.
10. ITEMS SHALL NOT DEFORM MORE THAN .0050 WHILE INSTALLING ITEM 25.
11. DELETED
12. HIGH VOLTAGE LEAD TO BE SECURED USING ITEM 20. ATTACH ITEM 21 (CABLE TIE) TO FORM APPROX 1" DIA LOOP AROUND THE LEAD. ITEM 21 MUST NOT BE PULLED TIGHT.
13. IF YOKE IS DISTURBED FOR ADJUSTMENT, TORQUE CLAMP SCREW TO 5-6 INCH POUNDS.
14. REMOVE PROTECTIVE BACKING PAPER FROM ITEMS 32, 33 & 34. POSITION AND ATTACH BUMPERS TO BEZEL, ITEM 1, SO THAT ALL BUMPERS ARE IN DIRECT CONTACT WITH CRT, ITEMS 12, OR 13, OR 14, IN ALL BUMPER LOCATIONS.
15. CONNECT WHITE WIRE FROM MONITOR BOARD (ITEM 7019574-01) TO TAB (G2) ON ITEM 5.
16. CONNECT WHITE WIRE FROM TAB (G3) ON ITEM 12 OR 13 OR 14 OR 30 TO TAB ON WHITE WIRE FROM MONITOR BOARD (ITEM 7019574-01) AT G2 GROUND TAB.

CAUTION:
OFF SHEET PARTS LIST EXISTS.
SEE K-PL-7019578-0-DBF

REV	DESCRIPTION	DATE	BY	CHKD
1	INITIAL ISSUE			
2	REVISED TO INCLUDE...			
3	REVISED TO INCLUDE...			
4	REVISED TO INCLUDE...			
5	REVISED TO INCLUDE...			
6	REVISED TO INCLUDE...			
7	REVISED TO INCLUDE...			
8	REVISED TO INCLUDE...			
9	REVISED TO INCLUDE...			
10	REVISED TO INCLUDE...			
11	REVISED TO INCLUDE...			
12	REVISED TO INCLUDE...			
13	REVISED TO INCLUDE...			
14	REVISED TO INCLUDE...			
15	REVISED TO INCLUDE...			
16	REVISED TO INCLUDE...			
17	REVISED TO INCLUDE...			
18	REVISED TO INCLUDE...			
19	REVISED TO INCLUDE...			
20	REVISED TO INCLUDE...			
21	REVISED TO INCLUDE...			
22	REVISED TO INCLUDE...			
23	REVISED TO INCLUDE...			
24	REVISED TO INCLUDE...			
25	REVISED TO INCLUDE...			
26	REVISED TO INCLUDE...			
27	REVISED TO INCLUDE...			
28	REVISED TO INCLUDE...			
29	REVISED TO INCLUDE...			
30	REVISED TO INCLUDE...			
31	REVISED TO INCLUDE...			
32	REVISED TO INCLUDE...			
33	REVISED TO INCLUDE...			
34	REVISED TO INCLUDE...			
35	REVISED TO INCLUDE...			

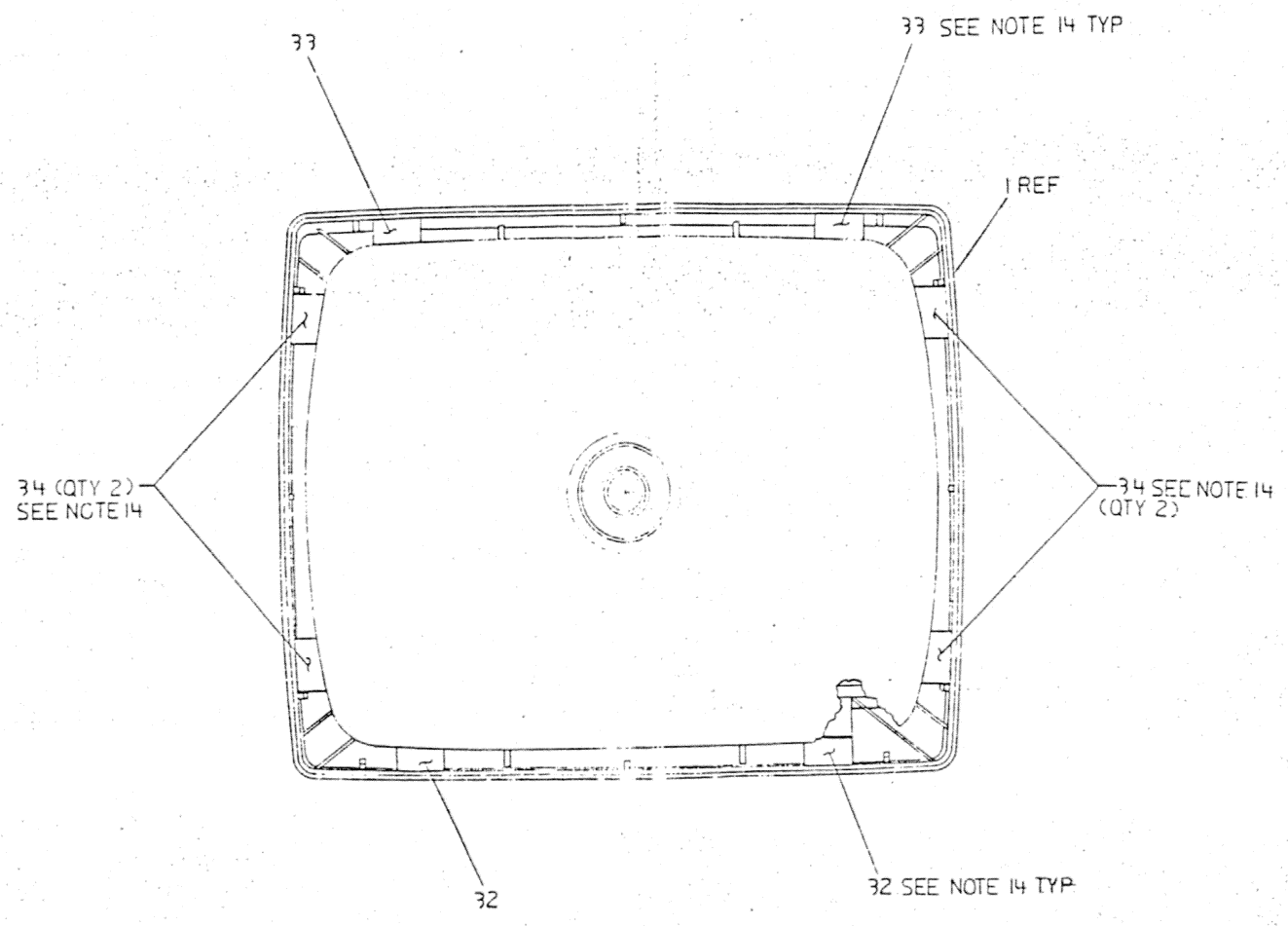
DESCRIPTION	DRAWING NO.	PART NO.	ITEM NO.
UNLESS OTHERWISE SPECIFIED DIMENSIONS ARE IN INCHES. FIRST USED ON VR 221			
INCHES	TOLERANCES	DIMENSION RANGE INCHES	
FRACTIONAL	DECIMAL	OVER	UNDER
		OVER	UNDER
SURFACE QUALITY	FINISH	DIMENSION RANGE INCHES	
XXXX	XXXX	OVER	UNDER
XXXX	XXXX	OVER	UNDER
THIRD ANGLE PROJECTION	DATE	TITLE	
DO NOT SCALE DRAWING	DATE	BEZEL ASSY	
REMOVE BURRS AND BREAK SHARP CORNERS	DATE	digital	
MATERIAL	DATE	DOCUMENT NUMBER	
SEE PARTS LIST	DATE	E1407019578-0-01	

K-PL-7019578-0-01

ALL DIMENSIONS UNLESS OTHERWISE SPECIFIED ARE IN MILLIMETERS (INCHES IN PARENTHESES). DIMENSIONS OF PARTS ARE TO BE TAKEN FROM THE DRAWING UNLESS OTHERWISE SPECIFIED.
FORM 1-64 (REV. 5-62) FEDERAL GOVERNMENT PRINTING OFFICE

J
H
F
E
D
C
B
A

J
H
F
E
D
C
B
A



PARTS OMITTED FOR CLARITY

REVISION HISTORY		
DATE	ECO NUMBER	REV

TITLE		DOCUMENT NUMBER	
BEZEL ASSY		EAD	701957
SCALE	SHEET	OF	
	1		

LINE	ITEM	TOP DOCUMENT	PART NUMBER	MIN REV	DESCRIPTION	QUANTITY PER VARIATION/REVISION						
						00 F3	01 F3	02 F3	03 F3	04 F3	05 F3	06 B2
1	1	E-MD-7426539-0-DBU	74-26539-01	D	BEZEL,CRT	1	1	1	1	1	1	1
2	2		90-08055-00		NUT,HEX SLF LCKNG NYL INS 6-32X	1	1	1	1	1	1	1
3	3	B-MD-7426542-0-DBU	74-26542-01		*** THIS ITEM IS NOT USED ***	-	-	-	-	-	-	-
4	4	C-MD-7426541-0-DBU	74-26541-01		*** THIS ITEM IS NOT USED ***	-	-	-	-	-	-	-
5	5	D-IA-7019524-0-DBU	70-19524-00	D	WIRE FORM BRKT. WELDMENT	1	1	1	-	-	-	1
6	6	C-MD-7426953-0-DBU	74-26953-01		*** THIS ITEM IS NOT USED ***	-	-	-	-	-	-	-
7	7	D-AD-7019584-0-DBU	70-19584-00	B	MONITOR BOARD ASSY	1	1	1	-	-	-	-
8	8		90-09800-02		SCREW,THD RL,PAN PHIL F/PLAS	4	4	4	4	4	4	4
9	9		90-07818-01		*** THIS ITEM IS NOT USED ***	-	-	-	-	-	-	-
10	10	D-IA-7019723-0-0	70-19723-00		WIRE, GROUND (4INS)	1	1	1	-	-	-	1
11	11	B-IA-7019723-0-0	70-19723-01		WIRE, GROUND (10INS)	1	1	1	1	1	1	1
12	12	D-IA-7019722-0-0	70-19722-00	B	CRT 6 YOKE ASSY (WHT POS)	1	-	-	1	-	-	-
13	13	D-IA-7019722-0-0	70-19722-01	B	CRT 6 YOKE ASSY (GRN POS)	-	1	-	-	1	-	-
14	14	D-IA-7019722-0-0	70-19722-02	B	CRT 6 YOKE ASSY (AMBER POS)	-	-	1	-	-	1	-
15	15		90-07925-01		TERM,QUICK .250TAB 2POS 18-22A	1	1	1	1	1	1	1
16	16		90-06659-00		*** THIS ITEM IS NOT USED ***	-	-	-	-	-	-	-
17	17	D-IA-7019798-0-DBU	70-19798-00		WELDMENT, TENSION WIRE	1	1	1	1	1	1	1
18	18	B-MD-7427428-0-DBU	74-27428-01		LOGO,DIGITAL,METAL	1	1	1	1	1	1	-
19	19		90-07658-01		*** THIS ITEM IS NOT USED ***	-	-	-	-	-	-	-
20	20		90-08264-00		MOUNT, CABLE TIE, ADHESIVE BACKED,	1	1	1	1	1	1	1
21	21		90-07880-00		TIE,CABLE BUNDL DIA 0-1.14"=101	1	1	1	-	-	-	1
22	22		90-09624-00		*** THIS ITEM IS NOT USED ***	-	-	-	-	-	-	-
23	23		12-09750-01		*** THIS ITEM IS NOT USED ***	-	-	-	-	-	-	-
24	24	C-MD-7427754-0-DBU	74-27754-01		INSULATOR,CRT	1	1	1	1	1	1	1
25	25		90-09617-00		TIE,CABLE BUNDL DIA 0-3"TYPE=101	2	2	2	-	-	-	2
26	26		90-00038-18		SCREW,MACH PAN PHIL 6-32	1	1	1	1	1	1	1
27	27		74-29464-01		*** THIS ITEM IS NOT USED ***	-	-	-	-	-	-	-
28	28		74-29464-02		*** THIS ITEM IS NOT USED ***	-	-	-	-	-	-	-
29	29		74-29464-03		*** THIS ITEM IS NOT USED ***	-	-	-	-	-	-	-
30	30	D-IA-7021518-0-DBU	70-21518-01		CRT/YOKE ASSEMBLY	-	-	-	-	-	-	1
31	31	D-AD-7019584-0-DBU	70-19584-01	A	MONITOR BOARD ASSY.	-	-	-	-	-	-	1
32	32		74-29464-04	A	BUMPER,GREY	2	2	2	2	2	2	2

REVISION HISTORY			KPL MATRIX FORMAT		SECTION A OF A		DRN: B. NETTO		D I G I T A L					
ENG: ECO NUMBER			REV		SECTION/VARIATION INDEX		DATE: 03-MAY-82		TITLE PARTS LIST					
--- INITIAL			A		[A] 00,01,02,03,04,05,06		CHK'D: D. HEALY		BEZEL ASSY					
WN 7019578-ML001			B		[B]		DATE: 13-MAY-82							
WN 7019578-ML002			C		[C]		DES.ENG: D. MOORE							
BN 7019578-ML003			D		[D]		DATE: 13-MAY-82		DOCUMENT NUMBER					
XXX XXX			X01		[E]		RESP.ENG.: D. BOUDREAU		SIZE: CODE:		NUMBER		REV	
AJ 7019578-ML004			E		[F]		DATE: 13-MAY-82		K		PL		7019578-0-DBP	K
AJ 7019578-ML005			F		[H]		MFG.ENG: G. WU		RELEASE DATE: 18-MAR-87					
AJ 7019578-ML006			H		[J]		DATE: 13-MAY-82		RELEASE STATUS: RELEASED					
AJ RFVR201-AP002			J											
DB VR201-ML008			K											
					BASIC PART NUMBER:		ASSEMBLY NUMBER:		TOP DOCUMENT NUMBER:		FILE NAME:		EDIT #	
					7019578		E-AD-7019578-0-0		E-AD-7019578-0-0		Z4562K.PLS		3	

"THIS DRAWING AND THE SPECIFICATIONS CONTAINED HEREIN ARE CONFIDENTIAL AND PROPRIETARY. THEY ARE THE PROPERTY OF DIGITAL EQUIPMENT CORPORATION AND SHALL NOT BE REPRODUCED OR COPIED OR USED IN WHOLE OR IN PART AS THE BASIS FOR THE MANUFACTURE OR SALE OF ITEMS WITHOUT WRITTEN PERMISSION. THIS IS AN UNPUBLISHED WORK PROTECTED UNDER THE FEDERAL COPYRIGHT LAWS."

LINE	ITEM	TOP DOCUMENT	PART NUMBER	MIN REV	DESCRIPTION	QUANTITY PER VARIATION/REVISION						
						00 F3	01 F3	02 F3	03 F3	04 F3	05 F3	06 B2
33	33		74-29464-05	A	BUMPER, BLUE	2	2	2	2	2	2	2
34	34		74-29464-06	A	BUMPER, BROWN	4	4	4	4	4	4	2
35	35		74-26542-02	A	CLIP, SPRING	4	4	4	4	4	4	4

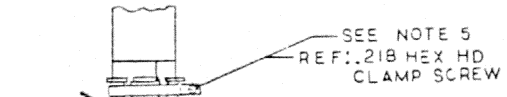
D	I	G	I	T	A	L	TITLE	SECTION A OF A	SIZE	CODE	DOCUMENT NUMBER	REV
							BEZEL ASSY		K	PL	7019578-0-DBP	K

THIS DRAWING AND SPECIFICATIONS, HEREIN, ARE THE PROPERTY OF DIGITAL EQUIPMENT CORPORATION AND SHALL NOT BE REPRODUCED OR COPIED IN WHOLE OR IN PART AS THE BASIS FOR THE MANUFACTURE OF ANY ITEMS WITHOUT WRITTEN PERMISSION. COPYRIGHT © 1982, DIGITAL EQUIPMENT CORPORATION

0-0-22610L 2

LEGEND		
NUMBER	REV	VARIATION
7019722-00	B3	CRT & YOKE ASSY (WHITE PHOSPHOR) P4
7019722-01	B3	CRT & YOKE ASSY (GREEN PHOSPHOR) P31
7019722-02	B3	CRT & YOKE ASSY (AMBER PHOSPHOR) P134

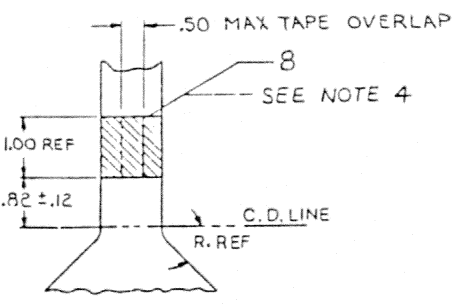
- NOTES:
- DELETED
 - FORM SPRING TO CONTACT AQUADAGS IN TWO PLACES.
 - LABEL POSITION IS FOR REFERENCE ONLY. POSITION MAY VARY.
 - CLEAN SURFACE PRIOR TO APPLYING ITEM 8 (TAPE).
 - TORQUE REQUIREMENT: 5-6 INCH-LBS.
 - TRIM OFF TWO MAGNET FINGERS ON YOKE, IN POSITIONS SHOWN, TO DIMENSION IN VIEW B-B.



MAGNET HOLDER FOR ITEM 12, 13 OR 14 A/R

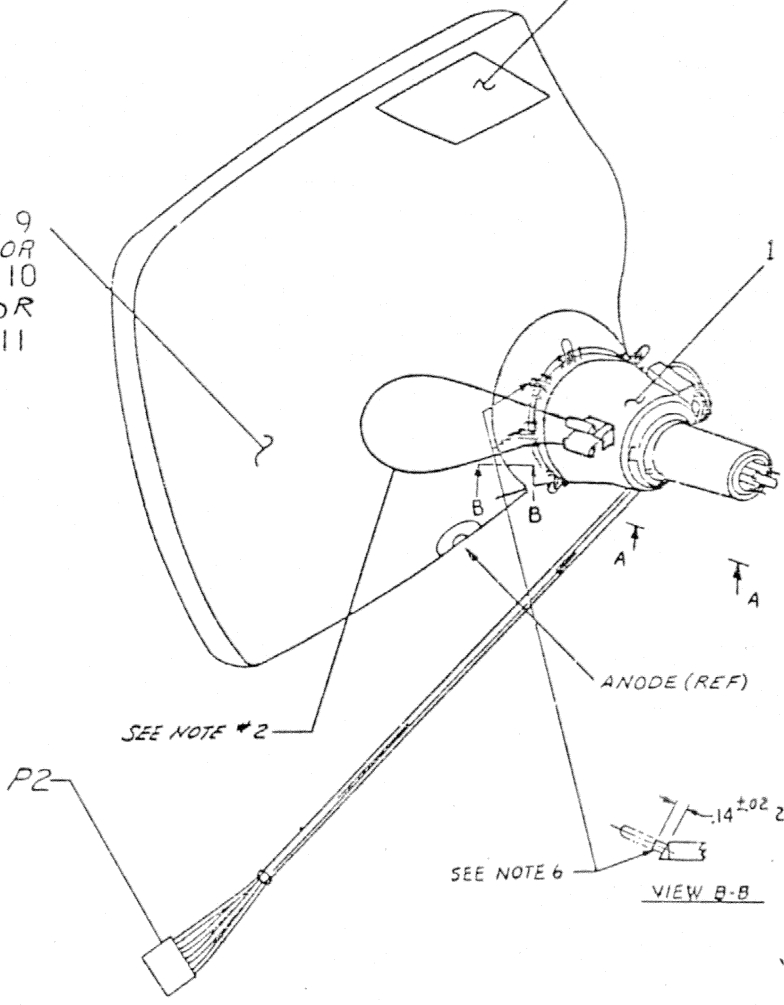
VIEW A-A

6 SEE NOTE #3



VIEW AA WITH ITEM 1 REMOVED FOR CLARITY

9 OR 10 OR 11



VIEW B-B

CAUTION: OFF SHEET PARTS LIST EXISTS, SEE K-PL-7019722-0-DBP (Z4605)

REV	CHG	NO	INITIAL	DATE	DESCRIPTION
A					
B					
C					
D					
E					

DESCRIPTION	DWG. PART NO.	ITEM NO.
UNLESS OTHERWISE SPECIFIED DIMENSIONS ARE IN INCHES		
ANGLES	CLASS OF ACCURACY	NOMINAL DIMENSION RANGE INCHES
SURFACE QUALITY	CHECK ONE	12.0 TO 40.0
QUANTITY & VARIATION	MICRONCHES	1.004 1.017 1.031 1.044 1.058
THIRD ANGLE PROJECTION	DRN. <i>[Signature]</i>	FIRST USED ON VR201 <i>[Signature]</i>
REMOVE BURRS AND BREAK SHARP CORNERS	CHK'D	TITLE CRT AND YOKE ASSEMBLY
DO NOT SCALE DWG	ENG. <i>[Signature]</i>	SIZE CODE D 1A
MATERIAL	PROL. ENG. <i>[Signature]</i>	NUMBER 7019722-0-0
FINISH	PROL. <i>[Signature]</i>	REV. E
	SHEET 1 OF 1	DIST. 1 ML3

LINE ITEM	TOP DOCUMENT	PART NUMBER	MIN REV	DESCRIPTION	QUANTITY PER VARIATION/REVISION		
					00 B3	01 B3	02 B3
1	1 D-AQ-7019721-0-0	70-19721-00		YOKE ASSY	1	1	1
2	2 #SEE NOTE			*** THIS ITEM IS NOT USED ***	-	-	-
3	3	12-19593-03		*** THIS ITEM IS NOT USED ***	-	-	-
4	4	12-19593-01		*** THIS ITEM IS NOT USED ***	-	-	-
5	5	12-19593-02		*** THIS ITEM IS NOT USED ***	-	-	-
6	6	36-10267-00		LABEL,DANGER HIGH VOLTAGE,SMOOTH	1	1	1
7	7	49-01303-00		*** THIS ITEM IS NOT USED ***	-	-	-
8	8	36-15670-01		TAPE,FIBGLAS ADH 1.0 WDX .007T	A/R	A/R	A/R
9	9	12-19593-04	A	CRT,12" P4	1	-	-
10	10	12-19593-05	A	CRT,12" P31	-	1	-
11	11	12-19593-06	A	CRT,12"	-	-	1
12	12 #SEE NOTE	12-23217-01		MAGNET,PINCUSHION 6.0 GAUSS	A/R	A/R	A/R
13	13 #SEE NOTE	12-23217-02		MAGNET,PINCUSHION 8.5 GAUSS	A/R	A/R	A/R
14	14 #SEE NOTE	12-23217-03		MAGNET,PINCUSHION 15.5 GAUSS	A/R	A/R	A/R

1 GEN: MAGNETICS FOR PINCUSHION CORRECTION

REVISION HISTORY			KPL MATRIX FORMAT		SECTION A OF A		DRN: B. CLARK		DIGITAL			
ENG	ECO NUMBER	REV	SECTION/VARIATION INDEX		DATE: 13-MAY-82		CHK'D: D. HEALY		TITLE PARTS LIST			
---	INITIAL	A	[A]	00,01,02	DATE: 13-MAY-82		DATE: 13-MAY-82		CRT AND YOKE ASSEMBLY			
AJ	7019722-ML001	B	[B]				DES.ENG: J.DIMACK		DOCUMENT NUMBER			
AJ	7019578-ML006	C	[C]				DATE: 13-MAY-82		SIZE	CODE	NUMBER	REV
JH	7019722-ML002	D	[D]				RESP.ENG.: B. NOTT		K	PL	7019722-0-DBP	E
JH	7019722-ML003	E	[E]				DATE: 13-MAY-82		RELEASE DATE: 16-MAY-86			
			[F]				MFG.ENG: G. WU		RELEASE STATUS: RELEASED			
			[H]				DATE: 13-MAY-82					
			[J]									
BASIC PART NUMBER:			ASSEMBLY NUMBER:		TOP DOCUMENT NUMBER:		FILE NAME:		EDIT #			
7019722			D-IA-7019722-0-0		D-IA-7019722-0-0		Z4605E.PLS		1			

"THIS DRAWING AND THE SPECIFICATIONS CONTAINED HEREIN ARE CONFIDENTIAL AND PROPRIETARY. THEY ARE THE PROPERTY OF DIGITAL EQUIPMENT CORPORATION AND SHALL NOT BE REPRODUCED OR COPIED OR USED IN WHOLE OR IN PART AS THE BASIS FOR THE MANUFACTURE OR SALE OF ITEMS WITHOUT WRITTEN PERMISSION. THIS IS AN UNPUBLISHED WORK PROTECTED UNDER THE FEDERAL COPYRIGHT LAWS."

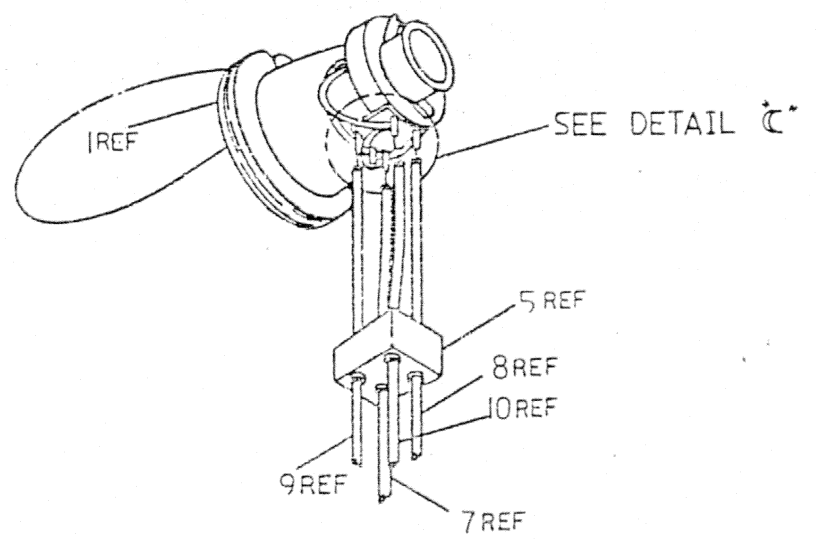
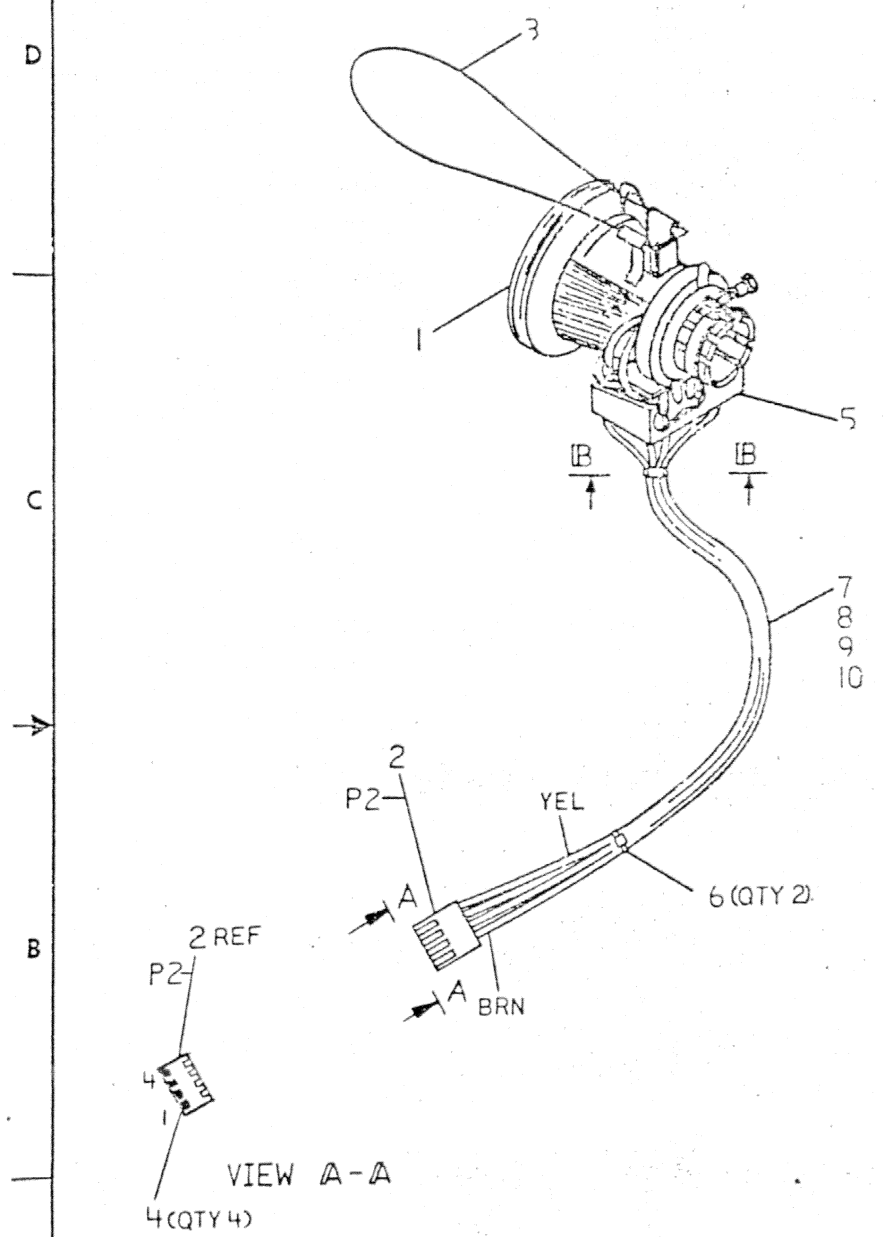
THIS DRAWING AND SPECIFICATIONS HEREBY ARE THE PROPERTY OF THE INSTRUMENT CORPORATION AND SHALL NOT BE REPRODUCED OR COPIED IN ANY MANNER OR IN ANY MANNER FOR THE MANUFACTURE OR SALE OF ITEMS WITHOUT WRITTEN PERMISSION. COPYRIGHT © 1982 INSTRUMENT CORPORATION

LEGEND		
PART NUMBER	REV	VARIATION
7019721-00	A2	AS SHOWN

WIRE TABLE							
ITEM NO	AWG	COLOR	FROM		TO		WIRE LENGTHS
			CONNECTION WITH	*	CONNECTION WITH	*	
9	22	YEL	P.C.B.I-4	*	P2-4	4	8.00IN±.25
10	22	GRN	P.C.B.I-3	*	P2-2	4	8.00IN±.25
8	22	RED	P.C.B.I-2	*	P2-3	4	8.00IN±.25
7	22	BRN	P.C.B.I-1	*	P2-1	4	8.00IN±.25

* INDICATES SOLDER

NOTES:
1. SLIDE TERMINAL COVER (ITEM #5) OVER WIRES, SOLDER WIRES TO TERMINALS AS SPECIFIED BY COLOR, USING WIRE TABLE.



VIEW B-B

DETAIL "C" SCALE: NONE

CAUTION: OFF SHEET PARTS LIST EXISTS. REFER TO K-PL-7019721-0-DBP

REV	INITIAL	DATE
1	A	
2	A	
3	A	
4	A	
5	A	
6	A	
7	A	
8	A	

DESCRIPTION	DWG. PART NO.	ITEM NO.
UNLESS OTHERWISE SPECIFIED DIMENSIONS ARE IN INCHES		
ANGLES	CLASS OF ACCURACY	NOMINAL DIMENSIONS
SURFACE QUALITY	CHECK ONE	INCHES
QUANTITY & VARIATION	PREFERRED	
THIRD ANGLE PROJECTION	DRN	FIRST USED ON
REMOVE BURRS AND BREAK SHARP CORNERS	CHKD	TITLE
DO NOT SCALE DWG	ENGR	YOKO ASSEMBLY
MATERIAL SEE PARTS LIST	PROJ ENGR	SIZE CODE
FINISH	PROD	NUMBER
		DIST.

D 7019721-0-0

LINE	ITEM	TOP DOCUMENT	PART NUMBER	MIN REV	DESCRIPTION	QTY PER VARIATION
					VARIATION REVISION LEVEL:	00
1	1		1220096-01		YOKE	1
2	2		1216520-01		CONN,P+S 04POS(1X04) HSG	1
3	3		1216518-02		SPRING,GROUNDNG WIR .0430DX11.31	1
4	4		1216519-00		CONN,P+S 01POS 24-18AWG CANTIL	4
5	5	C-MD-7425911-0-0	7425911-00		COVER,TERMINAL (49-TA306-00)	1
6	6		9009996-00		TIE,CABLE PRELOADED MAG.100 EA	2
7	7	SEE NOTE	9107804-11		WIRE, 22AWG(07/30)PVC 600V1	8
8	8	SEE NOTE	9107804-22		WIRE, 22AWG(07/30)PVC 600V1	8
9	9	SEE NOTE	9107804-44		WIRE, 22AWG(07/30)PVC 600V1	8
10	10	SEE NOTE	9107804-55		WIRE, 22AWG(07/30)PVC 600V1	8

11 NOTE: QTY OF ITEMS 7, 8, 9, 10, GIVEN IN INCHES (TOLER: +/-0.25).

REVISION HISTORY			BASIC PART NO: 7019721		DRN:	DATE:	DIGITAL			
ENG	ECO NUMBER	REV	SECTION A OF A	CHK'D:	DATE:	TITLE PARTS LIST				
---	INITIAL	A	SECTION.VARIATION INDEX	CHK'D: D. HEALY	DATE: 13-MAY-82	YOKE ASSY.				
AJ	7019721-ML001	B	[A]00	DES.ENG: J. DIMACK	DATE: 13-MAY-82	DOCUMENT NUMBER				
			[B]	RESP.ENG.: B. NOTT	DATE: 13-MAY-82	SIZE	CODE	NUMBER	REV	
			[C]	MFG.ENG.: G. WU	DATE: 13-MAY-82	K	PL	7019721-0-DBP	B	
			[D]	ASSEMBLY NUMBER:	TOP DOCUMENT NUMBER:	RELEASE DATE: 16-FEB-84				
			[E]	D-AD-7019721-0-0	D-IA-7019721-0-0	FILE NAME: Z4604B.PLS				
			[F]			EDIT #: 7				

"THIS DRAWING AND THE SPECIFICATIONS CONTAINED HEREIN ARE CONFIDENTIAL AND PROPRIETARY. THEY ARE THE PROPERTY OF DIGITAL EQUIPMENT CORPORATION AND SHALL NOT BE REPRODUCED OR COPIED OR USED IN WHOLE OR IN PART AS THE BASIS FOR THE MANUFACTURE OR SALE OF ITEMS WITHOUT WRITTEN PERMISSION. THIS IS AN UNPUBLISHED WORK PROTECTED UNDER THE FEDERAL COPYRIGHT LAWS."