

## Mini-ITX Series

# VIA EPIA

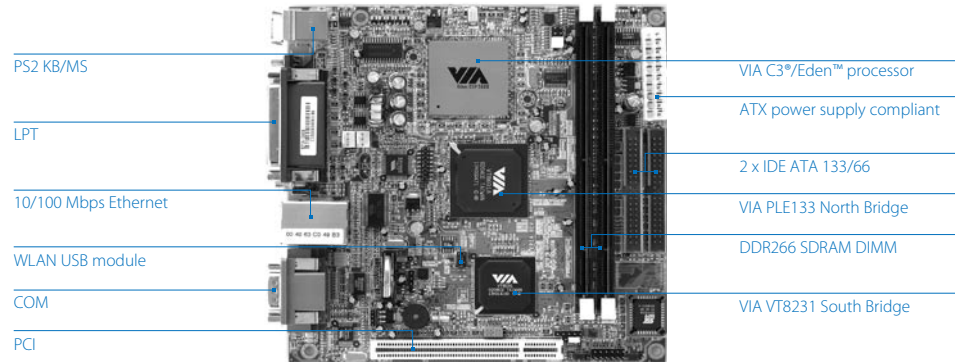
Mini-ITX C3®/Eden™ Board  
with PC133 SDRAM

## Features

- Integrated AGP 4X graphics engine
- Supports PC133 SDRAM
- Supports 10/100Mbps Ethernet
- Supports four USB 1.1 ports (two as pin headers)
- Supports 2-channel audio



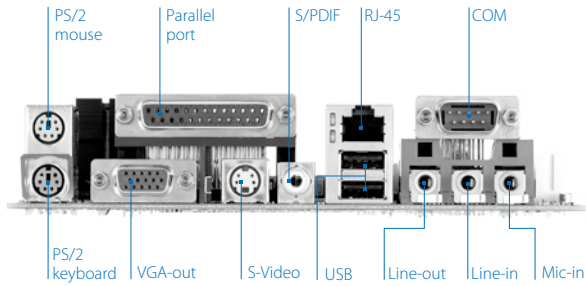
## Board Placement



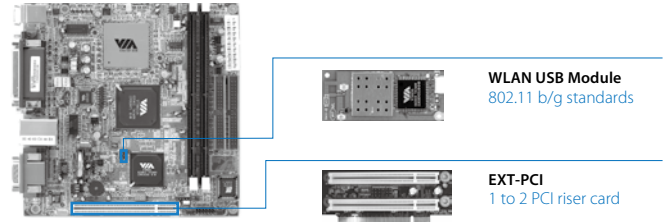
## Specifications

Model Name	EPIA8000AG	EPIA5000AG
<b>Processor</b>	800MHz VIA C3®	533MHz VIA fanless Eden™
<b>Chipset</b>	VIA PLE133 North Bridge VIA VT8231 South Bridge	
<b>System Memory</b>	2 x PC133 DIMM socket Up to 1 GB memory size	
<b>VGA</b>	Integrated AGP 4 x graphics engine	
<b>Expansion Slot</b>	1 x PCI slot	
<b>Onboard IDE</b>	2 x UltraDMA 100/66 connectors	
<b>Onboard LAN</b>	1 x VIA VT6103 10/100Mbps Ethernet PHY	
<b>Onboard Audio</b>	VIA VT1612A 2-channel AC'97 Codec	
<b>Onboard I/O Connectors</b>	1 x USB connector for 2 USB 1.1 ports 1 x Buzzer 1 x FIR connector 1 x CIR connector 1 x CD audio-in connector 2 x Fan connectors for CPU and system fans 1 x ATX power connector	
<b>Back Panel I/O</b>	1 x PS2 mouse port 1 x PS2 keyboard port 1 x Parallel port 1 x VGA port 1 x RJ-45 LAN port 1 x S-Video port 1 x RCA port (S/PDIF or TV-out) 2 x USB 1.1 ports 1 x Serial port 3 x Audio jacks: Line-out, Line-in and Mic-in	
<b>BIOS</b>	Award BIOS 2Mbit flash memory	
<b>Operating System</b>	Windows XP, Linux, Win CE, XPe	
<b>System Monitoring &amp; Management</b>	CPU voltage monitoring Wake-on LAN, Keyboard Power-on, Timer Power-on System power management AC power failure recovery	
<b>Operating Temperature</b>	0° C - 50° C	
<b>Operating Humidity</b>	0% ~ 93% (relative humidity; non-condensing)	
<b>Form Factor</b>	Mini-ITX (4-layer) 17 cm x 17 cm	

## Back Panel I/O



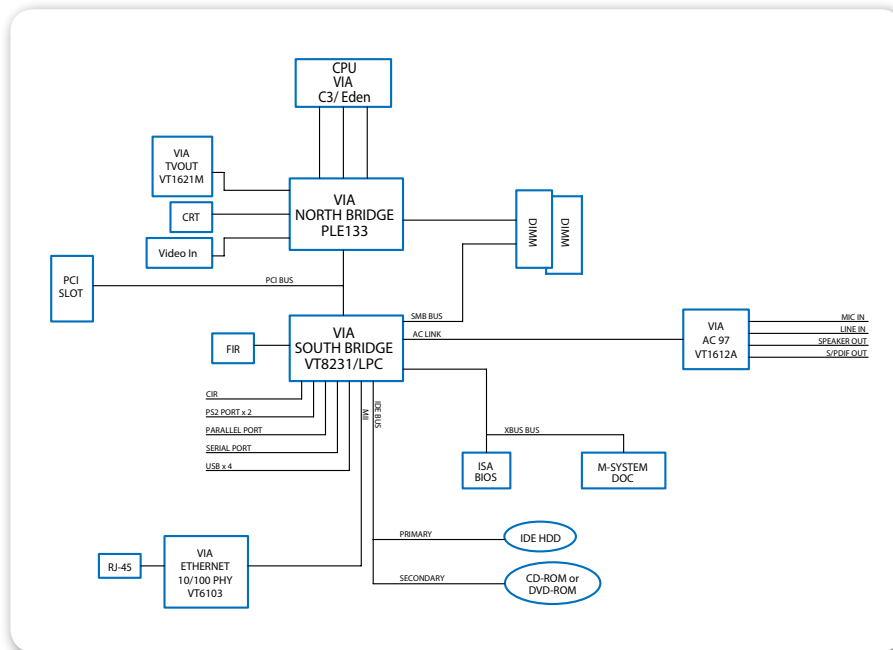
## Accessories



## Ordering Information

Model Name	CPU Frequency	Description
EPIA800AG	800MHz C3®	Mini-ITX Board with 800MHz C3®, VGA, USB 1.1, COM, LPT, LAN, IDE
EPIA5000AG	533MHz Eden™	Mini-ITX Fanless Board with 533MHz Eden™, VGA, USB 1.1, COM, LPT, LAN, IDE

## Block Diagram



## Packing List

Items
1 x ATA-66/100 IDE ribbon cable
1 x General installation guide
1 x Driver Utility CD
1 x I/O bracket